

JVC

SCHEMATIC DIAGRAMS

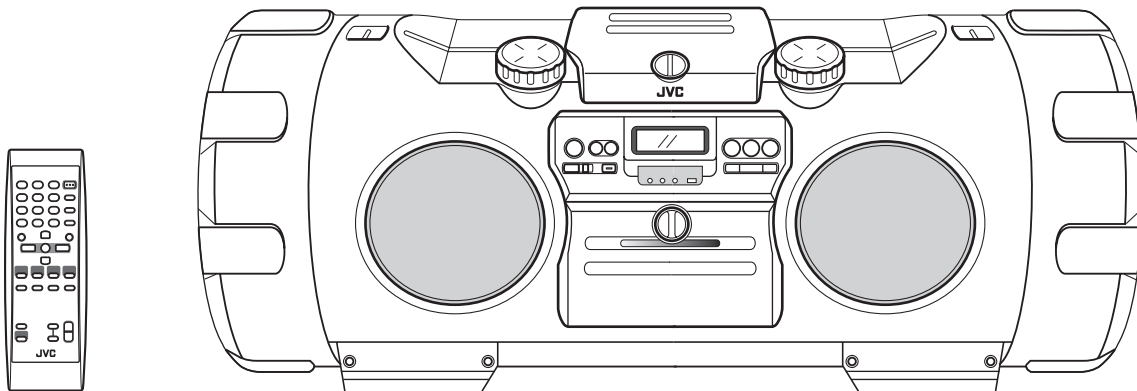
POWERED WOOFER CD SYSTEM

RV-NB1

CD-ROM No.SML200503

Area suffix

B ----- U.K.
E ----- Continental Europe
EN ----- Northern Europe



MP3
PLAYBACK

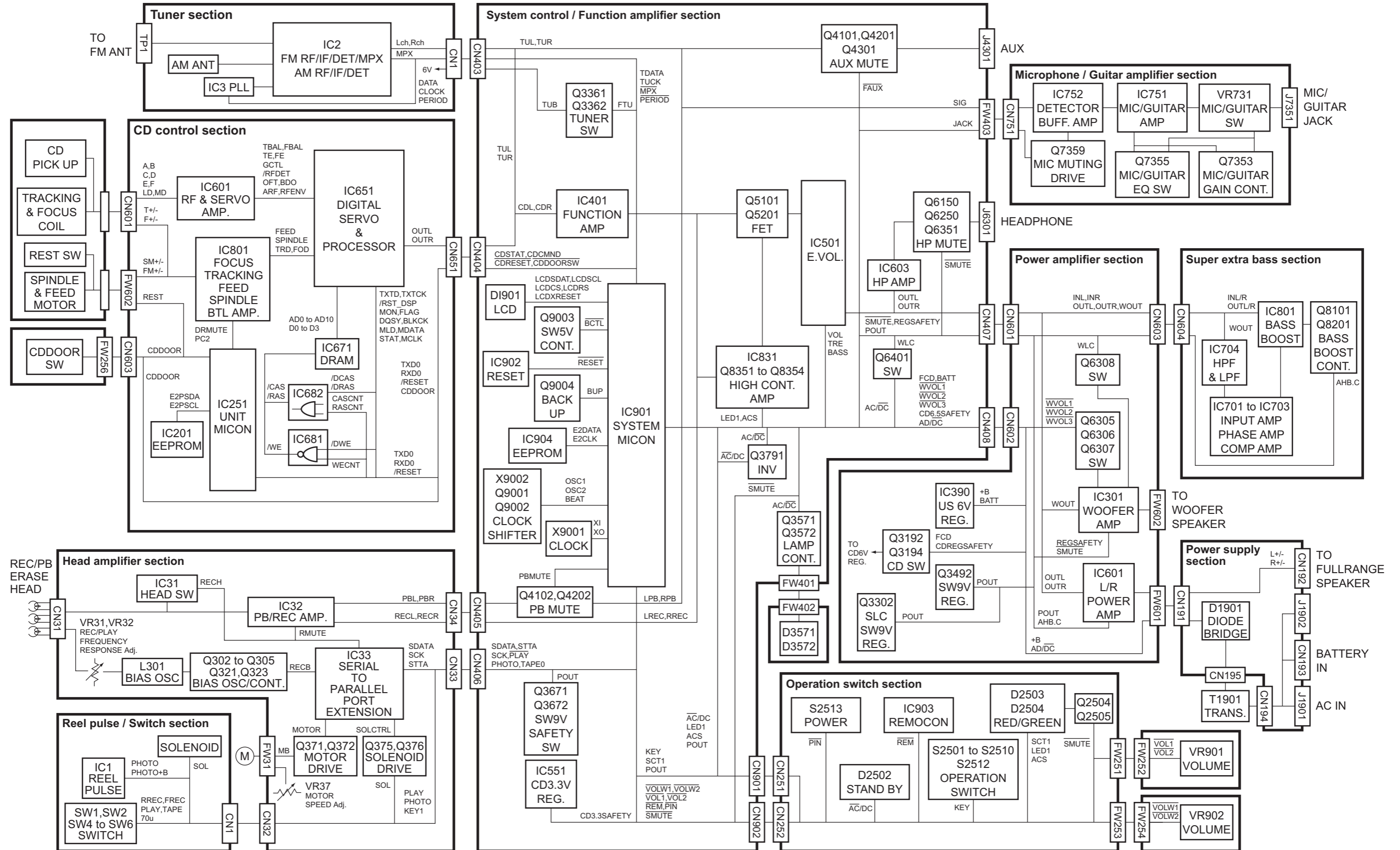
COMPACT
disc
DIGITAL AUDIO

Contents

Block diagram	2-1
Standard schematic diagrams	2-2
Printed circuit boards	2-9 to 13

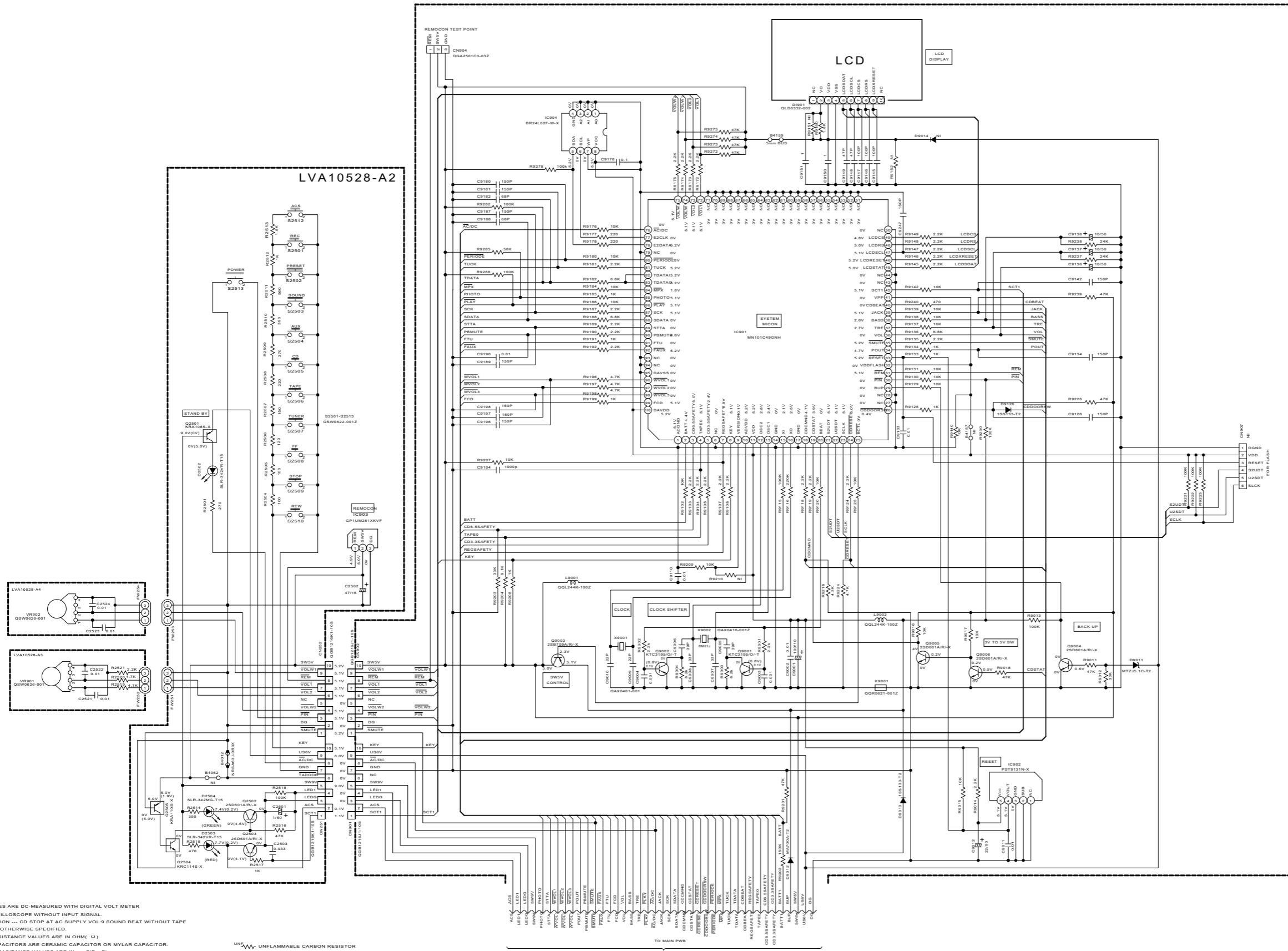
In regard with component parts appearing on the silk-screen printed side (parts side) of the PWB diagrams, the parts that are printed over with black such as the resistor (■), diode (⊣) and ICP (●) or identified by the "⚠" mark nearby are critical for safety.

Block diagram



Standard schematic diagrams

System control / Operation switch section



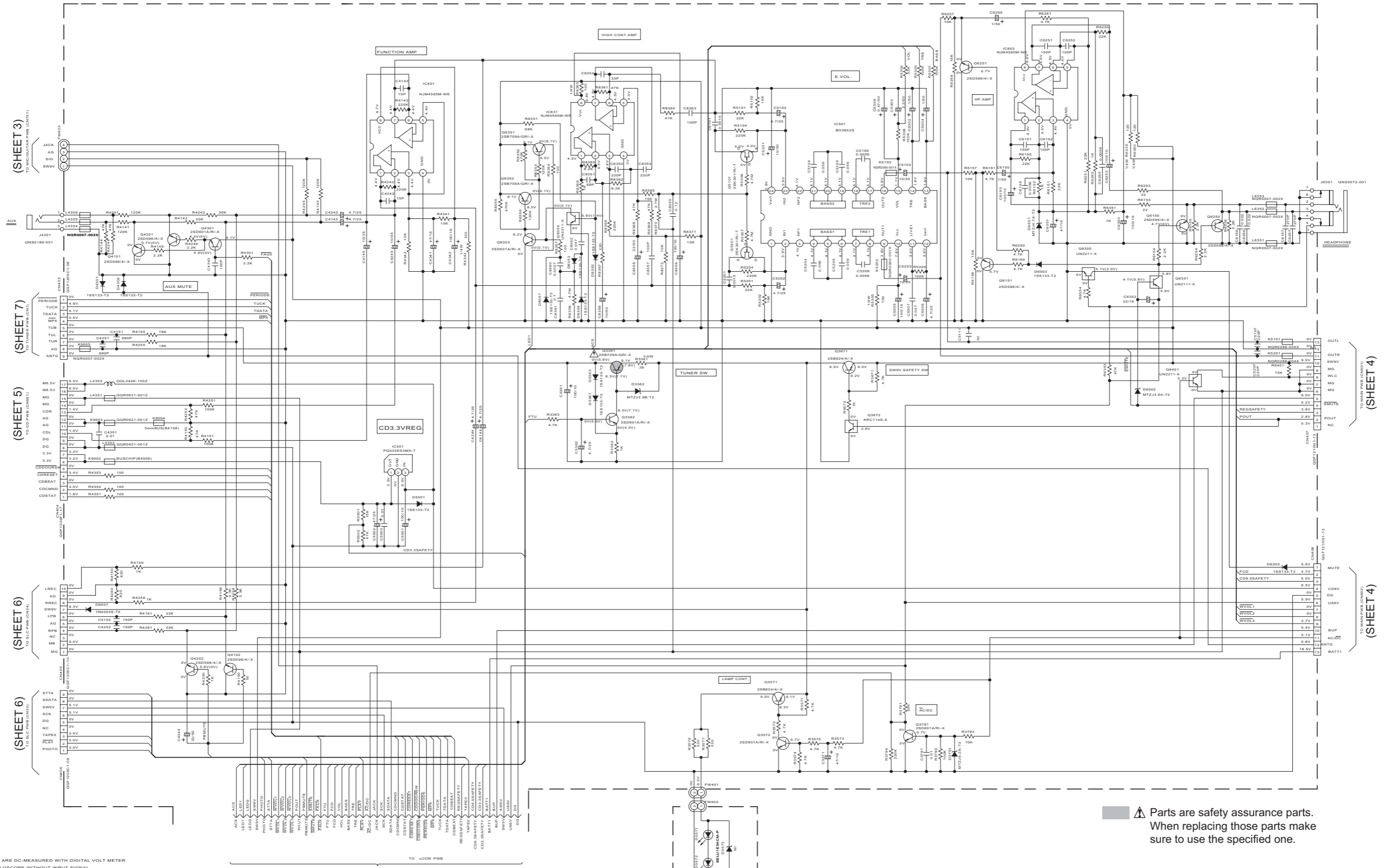
NOTES
 1. VOLTAGES ARE DC-MEASURED WITH DIGITAL VOLT METER OR OSCILLOSCOPE WITHOUT INPUT SIGNAL.
 CONDITION --- CD STOP AT AC SUPPLY VOL-9 SOUND BEAT WITHOUT TAPE
 2. UNLESS OTHERWISE SPECIFIED,
 ALL RESISTANCE VALUES ARE IN OHM (Ω).
 ALL CAPACITORS ARE CERAMIC CAPACITOR OR MYLAR CAPACITOR.
 ALL CAPACITANCE VALUES ARE IN μF (μF) (P.P.F.).
 ALL INDUCTANCE VALUES ARE IN mH (mH) (mH).
 ALL E-CAPACITORS ARE SHOWN IN THE FORM OF CAPACITANCE (μF) RATED VOLTAGE (V).
 ALL DIODES ARE 1S133-T2
 ALL NPN TRANSISTORS ARE KTC3875/GU-X OR 2SD601A/RSI-X OR ZBC1623/5-6-X.

UNFLAMMABLE CARBON RESISTOR
NON-POLARISED ELECTROLYTIC CAPACITOR
POLYPROPYLENE CAPACITOR
FUSIBLE RESISTOR

(SHEET 2)



Function amplifier section

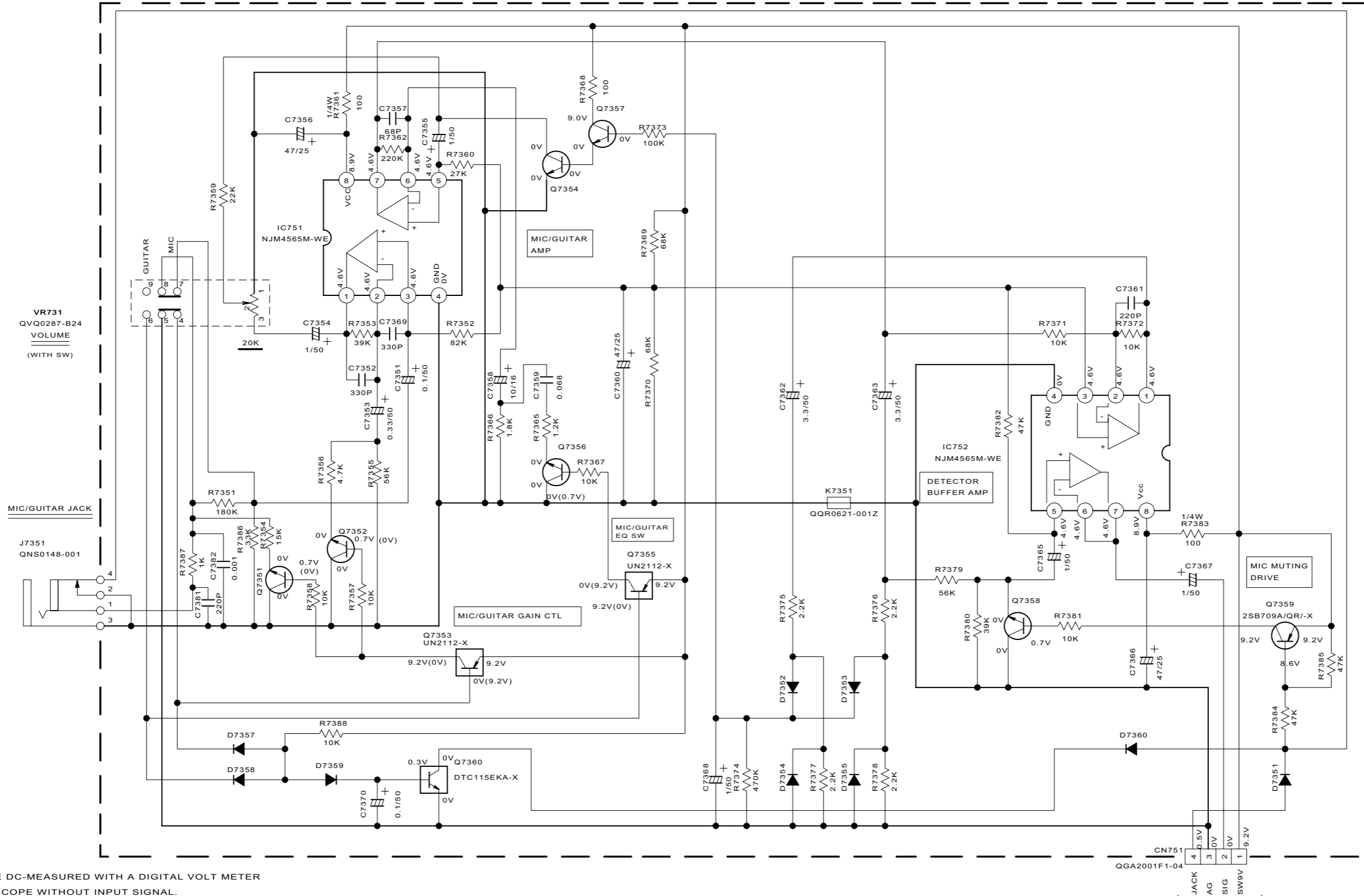


NOTES
 1. VOLTAGES ARE DC-MEASURED WITH DIGITAL VOLT METER OR OSCILLOSCOPE WITHOUT INPUT SIGNAL. CONDITION --- CD STOP AT AC SUPPLY VOL. 9. SOUND BEAT WITHOUT TAPE 2. UNLESS OTHERWISE SPECIFIED.
 ALL RESISTANCE VALUES ARE IN OHM (Ω).
 ALL CAPACITORS ARE CERAMIC CAPACITOR OR MYLAR CAPACITOR.
 ALL CAPACITANCE VALUES ARE IN μF (μF) OR P (pF).
 ALL INDUCTANCE VALUES ARE IN μH (μH) OR MH (mH).
 ALL E. CAPACITORS ARE SHOWN IN THE FORM OF CAPACITANCE (μF) / RATED VOLTAGE (V).
 ALL DIODES ARE 1S8133-T2
 ALL NPN TRANSISTORS ARE KTC3875/GR-X OR 2SD61A/RSI-X OR 2SC1623/5-6J-X.

UNF UNFLAMMABLE CARBON RESISTOR
 NE NON-POLARISED ELECTROLYTIC CAPACITOR
 PP POLYPROPYLENE CAPACITOR
 FR FUSEBLE RESISTOR

⚠ Parts are safety assurance parts.
 When replacing those parts make sure to use the specified one.

Microphone / Guitar amplifier section



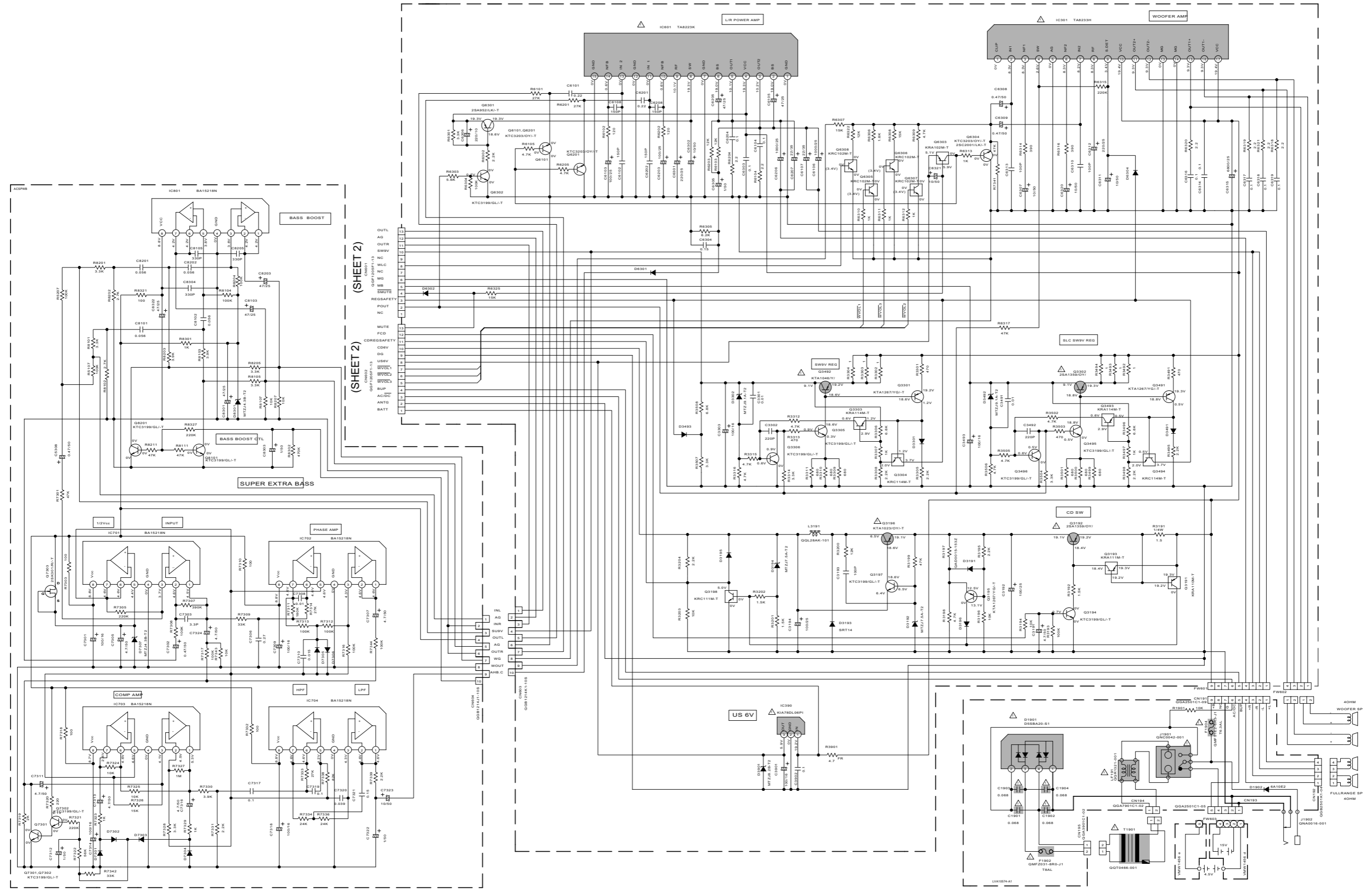
NOTES

- VOLTAGES ARE DC-MEASURED WITH A DIGITAL VOLT METER OR OSCILLOSCOPE WITHOUT INPUT SIGNAL.
CONDITION --- CD STOP AT AC SUPPLY
() IS GUITAR POSITION AND NORMAL IS MIC POSITION
- UNLESS OTHERWISE SPECIFIED RESISTORS ARE 1/10W ± 5% CARBON RESISTOR
ALL RESISTANCE VALUES ARE IN OHM (Ω).
ALL CAPACITORS ARE CERAMIC CAPACITOR OR MYLAR CAPACITOR.
ALL CAPACITANCE VALUES ARE IN μF (P=pF).
ALL INDUCTANCE VALUES ARE IN μH (m=mH).
ALL E. CAPACITORS ARE SHOWN IN THE FORM OF CAPACITANCE (μF)/RATED VOLTAGE (V).
ALL DIODES ARE 1SS133-T2
ALL NPN TRANSISTORS ARE 2SD601A/R/-X

PARTSNAME	UN2112-X	DTC115EK
CONSTRUCTION		

TO UCOM PWB (FW403)
(SHEET 2)

Power supply / Power amplifier section



(SHEET 2)

(SHEET 2)

TABLE1 DIGITAL TRANSISTOR

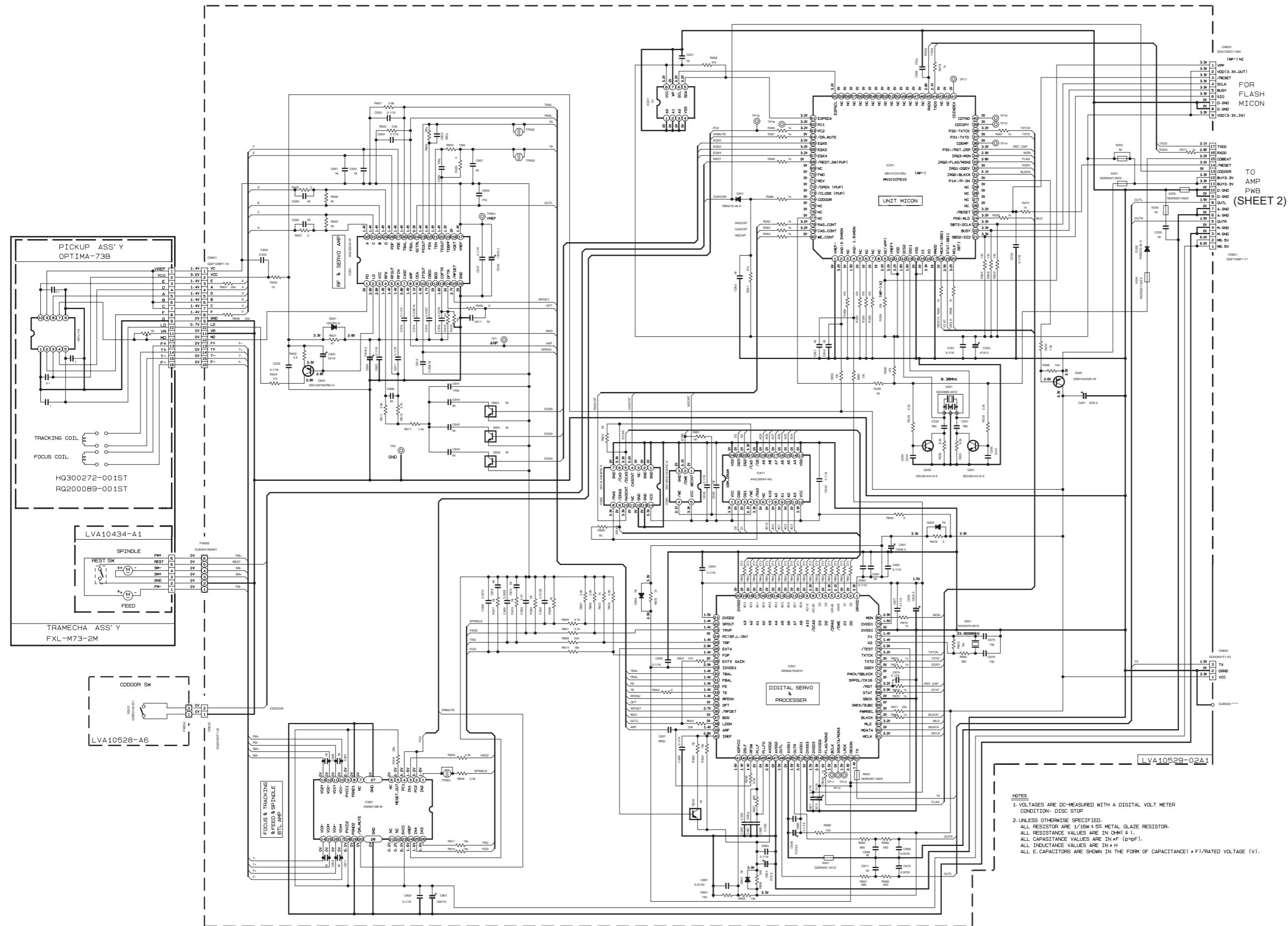
KRC102M-T	KRA102M-T	KRA111M-T	KRC111M-T	KRA114M-T	KRC114M-T	KRA110M-T	

- NOTES
- VOLTAGES ARE DC-MEASURED WITH A DIGITAL VOLT METER OR OSCILLOSCOPE WITHOUT INPUT SIGNAL. CONDITION --- CD STOP MODE
 - UNLESS OTHERWISE SPECIFIED, RESISTORS ARE 1/6W±5% CARBON RESISTOR. ALL RESISTANCE VALUES ARE IN OHMS(Ω). ALL CAPACITORS ARE CERAMIC CAPACITOR OR MYLAR CAPACITOR. ALL CAPACITANCE VALUES ARE IN PICO(FpF).

ALL INDUCTANCE VALUES ARE IN μH(mH/mm). ALL CAPACITORS ARE SHOWN IN THE FORM OF CAPACITANCE (C) / RATED VOLTAGE (V). ALL DIODES ARE 1S8254 (ORHS104TJ OR MA165) ALL NPN TRANSISTOR ARE 2SC2785/HFE/T. ALL PNP TRANSISTOR ARE 2SA1175/HFE/T.

Parts are safety assurance parts. When replacing those parts make sure to use the specified one.

CD control section

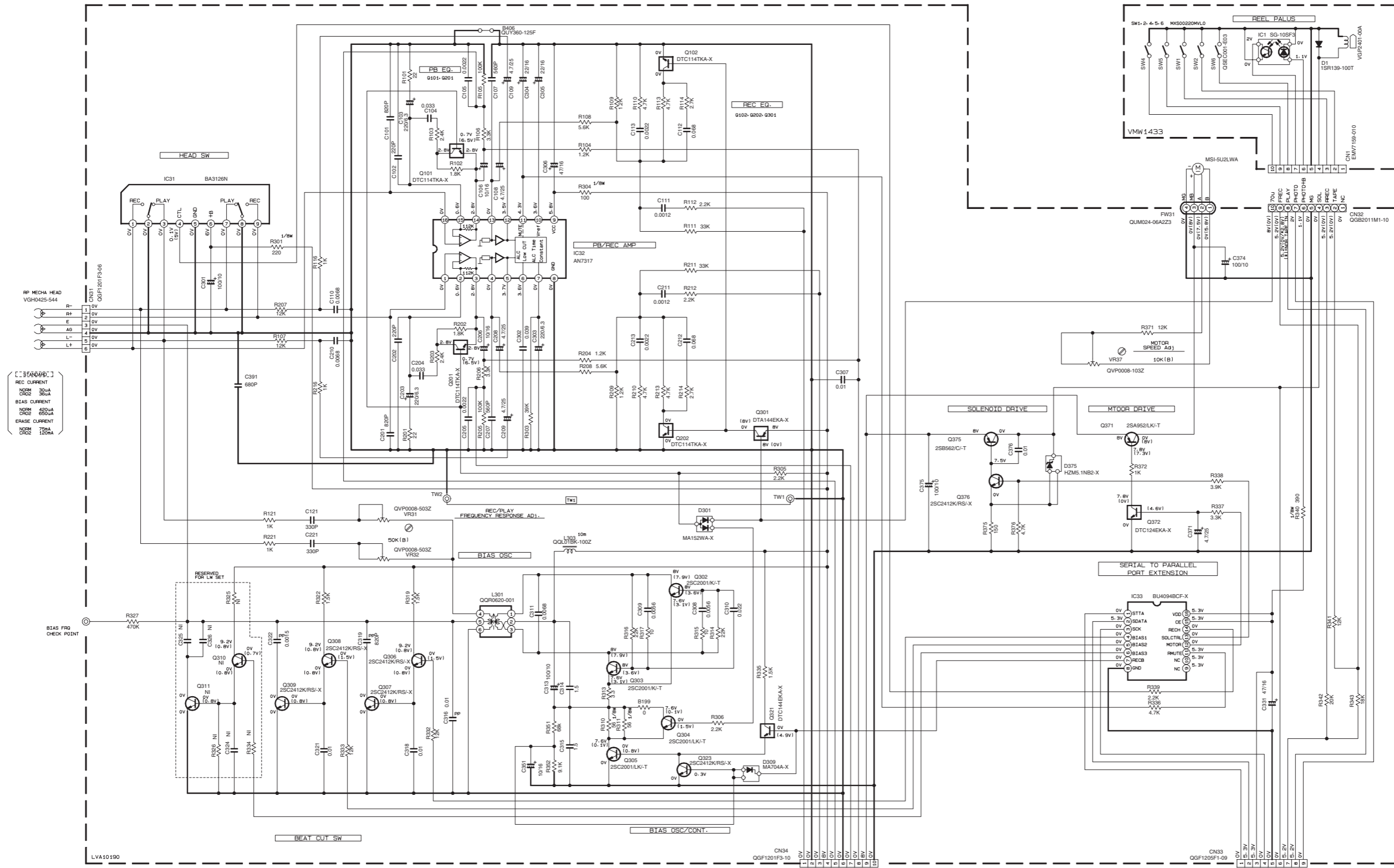


FOR FLASH MICON

TO AMP PWB (SHEET 2)

- NOTES
1. VOLTAGES ARE DC-MEASURED WITH A DIGITAL VOLT METER CONDITION: DISC STOP
 2. UNLESS OTHERWISE SPECIFIED, ALL RESISTOR ARE 1/16W ± 5% METAL GLAZE RESISTOR. ALL RESISTANCE VALUES ARE IN OHM (Ω). ALL CAPACITANCE VALUES ARE IN nF (p.p.F.). ALL INDUCTANCE VALUES ARE IN μH ALL E. CAPACITORS ARE SHOWN IN THE FORM OF CAPACITANCE (F) / RATED VOLTAGE (V).

Head amplifier section



NOTES

- VOLTAGES ARE DC-MEASURED WITH A DIGITAL VOLT METER OR OSCILLOSCOPE WITHOUT INPUT SIGNAL. CONDITION: MECHA STOP MODE.
- UNLESS OTHERWISE SPECIFIED, RESISTORS ARE 1/10W ±5% METAL GLAZE RESISTOR. ALL RESISTANCE VALUES ARE IN OHM(Ω). ALL CAPACITORS ARE CERAMIC CAPACITOR OR MYLAR CAPACITOR. ALL CAPACITANCE VALUES ARE IN #F(=PF). ALL INDUCTANCE VALUES ARE IN #H(=MH). ALL E. CAPACITORS ARE SHOWN IN THE FORM OF CAPACITANCE (#F)/RATED VOLTAGE (V). POLYPROPYLENE CAPACITOR.

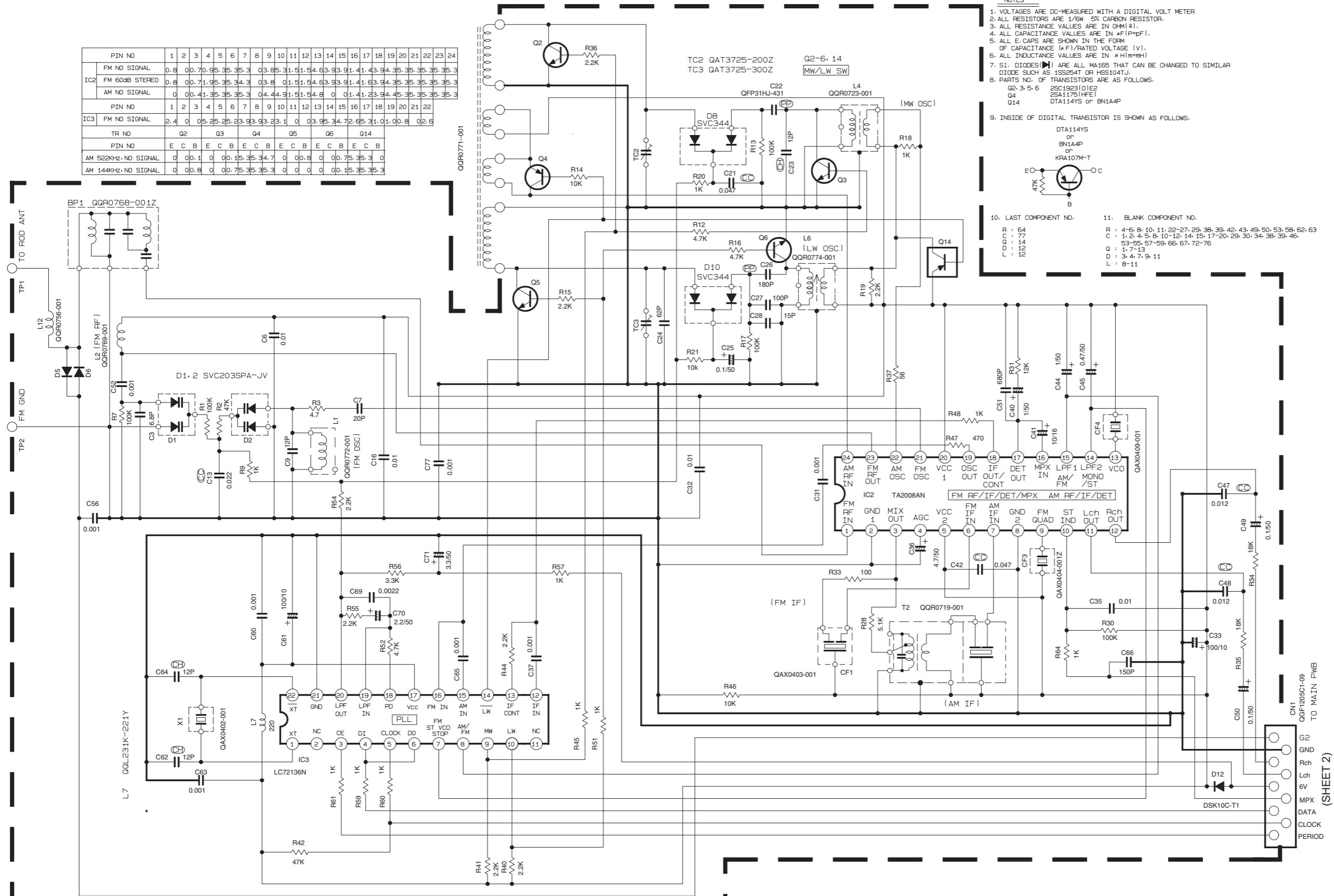
(SHEET 2)

PARTS	NAME	REF. NO
	DTC114TKA-X	Q101 Q102 Q301 Q302
	DTA144EKA-X	Q301
	DTC144EKA-X	Q301
	DTC124EKA-X	Q371

(SHEET 2)

Tuner section

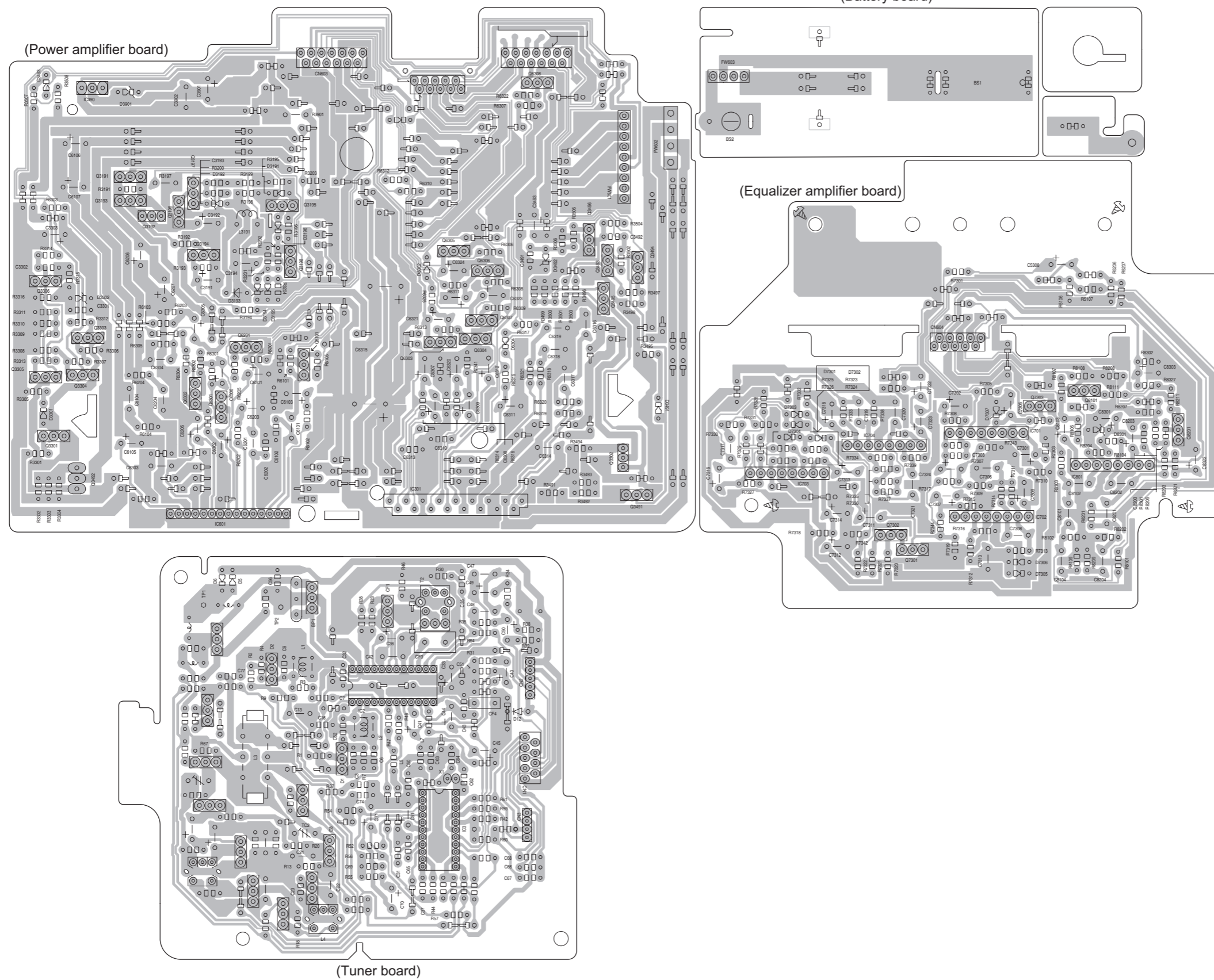
PIN NO	1	2	3	4	5	6	7	8	9	10	11	12	13	14	15	16	17	18	19	20	21	22	23	24
FM NO SIGNAL	0.8	00.70	95.35	35.3	03.85	3.15	5.4	63.93	9.1	4.1	43.94	35.35	35.35	3										
IC2 FM 60dB STEREO	0.8	00.71	95.35	34.3	03.8	0.15	1.54	63.93	9.1	4.1	63.94	35.35	35.35	3										
AM NO SIGNAL	0	00.41	35.35	35.3	04.44	9.15	1.54	8	0	0.1	4.1	23.94	45.35	35.35	3									
PIN NO	1	2	3	4	5	6	7	8	9	10	11	12	13	14	15	16	17	18	19	20	21	22		
IC3 FM NO SIGNAL	2.4	0	05.25	25.23	93.93	23.1	0	03.95	34.72	65.31	0.1	00.8	02.6											
TR NO	Q2	Q3	Q4	Q5	Q6	Q14																		
PIN NO	E	C	B	E	C	B	E	C	B	E	C	B	E	C	B									
AM 52KHZ-NO SIGNAL	0	00.1	0	00.15	35.34	7	0	00.8	0	00.75	35.3	0												
AM 144KHZ-NO SIGNAL	0	00.8	0	00.75	35.35	3	0	0	0	00.15	35.35	3												



- NOTES**
- VOLTAGES ARE DC-MEASURED WITH A DIGITAL VOLT METER
 - ALL RESISTORS ARE 1/8W 5% CARBON RESISTOR.
 - ALL RESISTANCE VALUES ARE IN OHM(Ω).
 - ALL CAPACITANCE VALUES ARE IN #F(P=PF).
 - ALL E. CAPS ARE SHOWN IN THE FORM OF CAPACITANCE (#F)/RATED VOLTAGE (V).
 - ALL INDUCTANCE VALUES ARE IN #H(m=MH)
 - S1. DIODES (▶) ARE ALL M165 THAT CAN BE CHANGED TO SIMILAR DIODE SUCH AS 1SS254T OR HSS104TJ.
 - PARTS NO. OF TRANSISTORS ARE AS FOLLOWS.
 Q2, 3, 5, 6 2SC1923(0)E2
 Q4 2SA1175(HFE)
 Q14 DTA114YS or BN1A4P
 - INSIDE OF DIGITAL TRANSISTOR IS SHOWN AS FOLLOWS.
 DTA114YS
 or
 BN1A4P
 or
 KRA107M-T
 E O C
 47K
 - LAST COMPONENT NO.
 - BLANK COMPONENT NO.
- R : 4-6, 8, 10, 11, 22-27, 29, 38, 39, 42, 43, 49-50, 53, 58, 62, 63
 C : 1, 2, 4, 5, 8, 10-12, 14, 15, 17-20, 29, 30, 34, 38, 39, 46
 Q : 4, 7-13
 D : 3, 4, 7, 9, 11
 L : 8-11

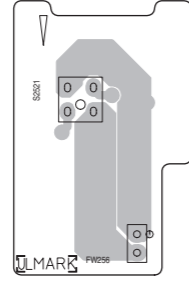
Printed circuit boards

■ Main board

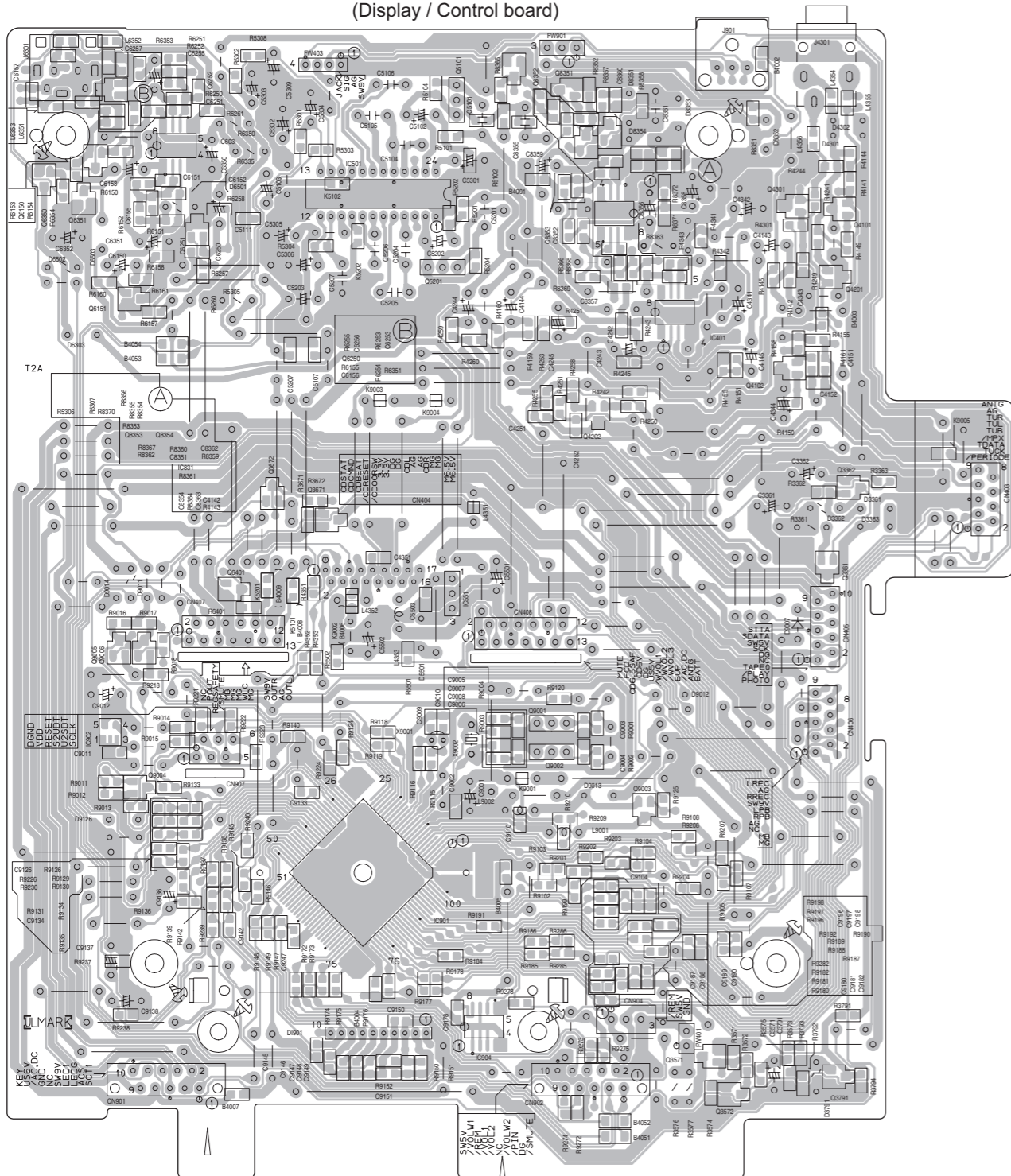


■ Micon board

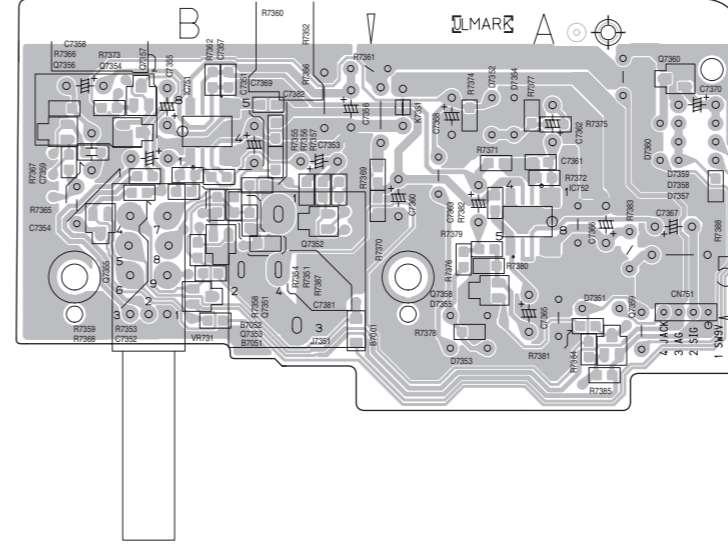
(CD door switch board)



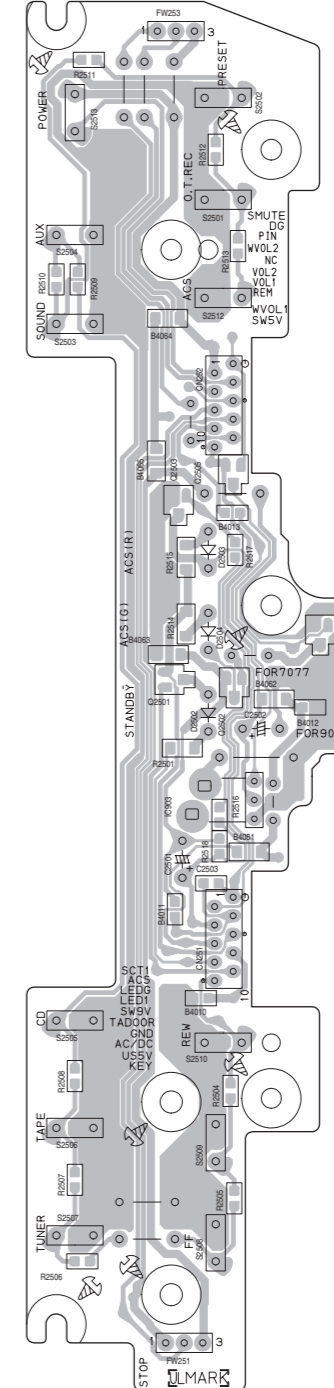
(Display / Control board)



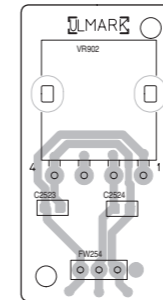
(Guitar and Mic.jack board)



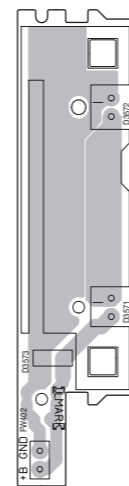
(Key board)



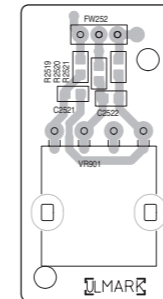
(Woofer encoder board)



(LED board)

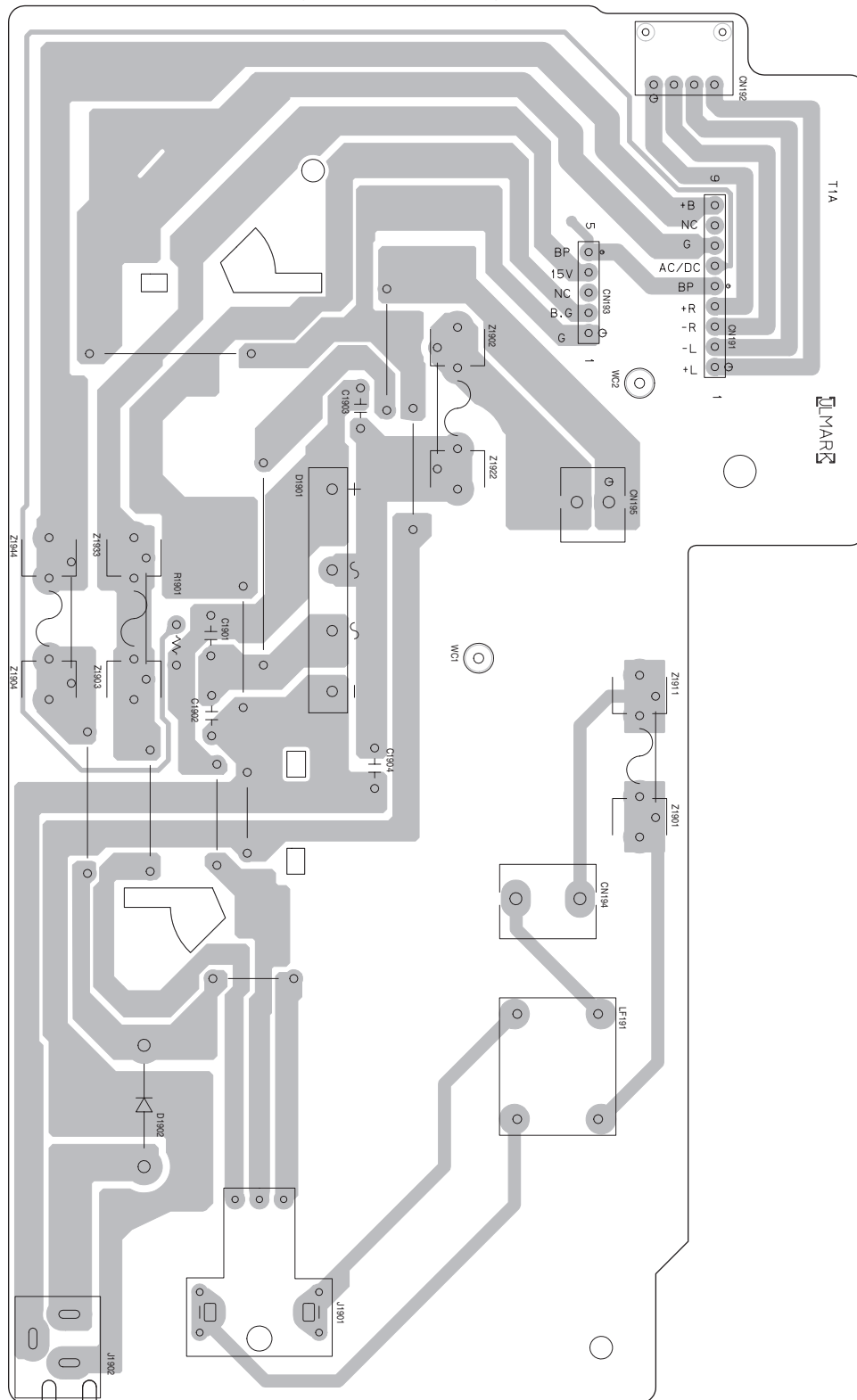


(Volume encoder board)



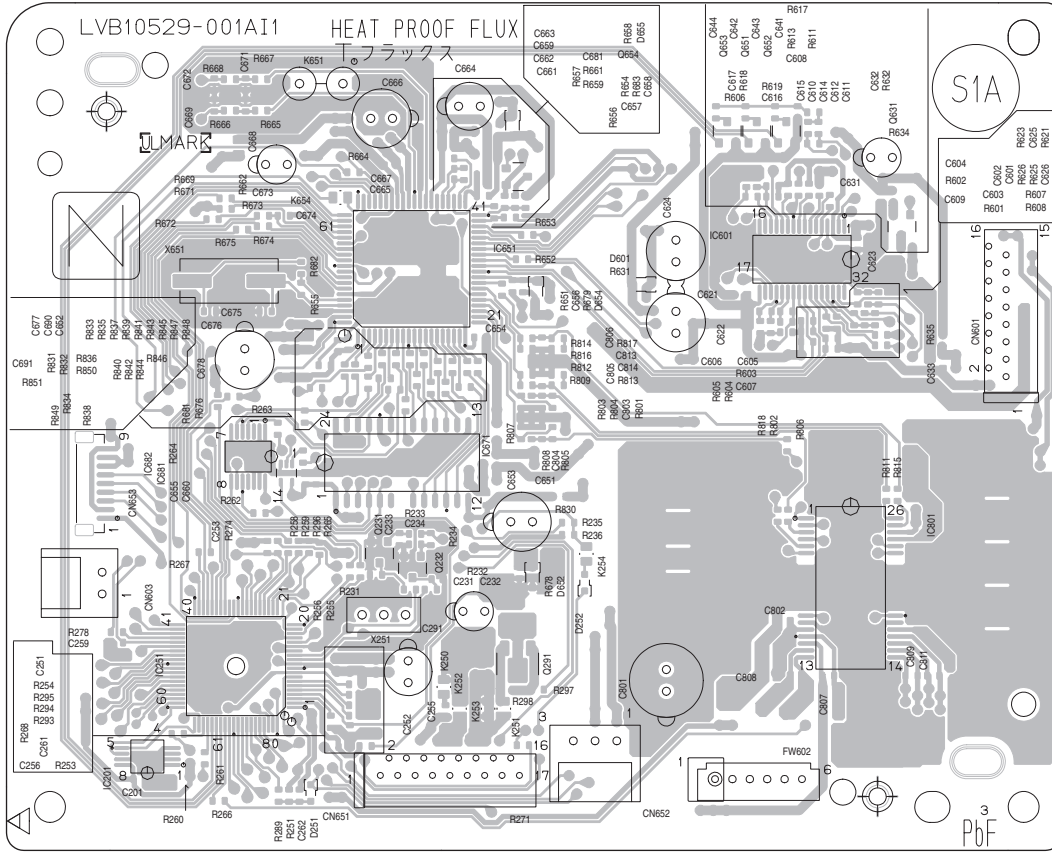
Power board

(Power supply board)

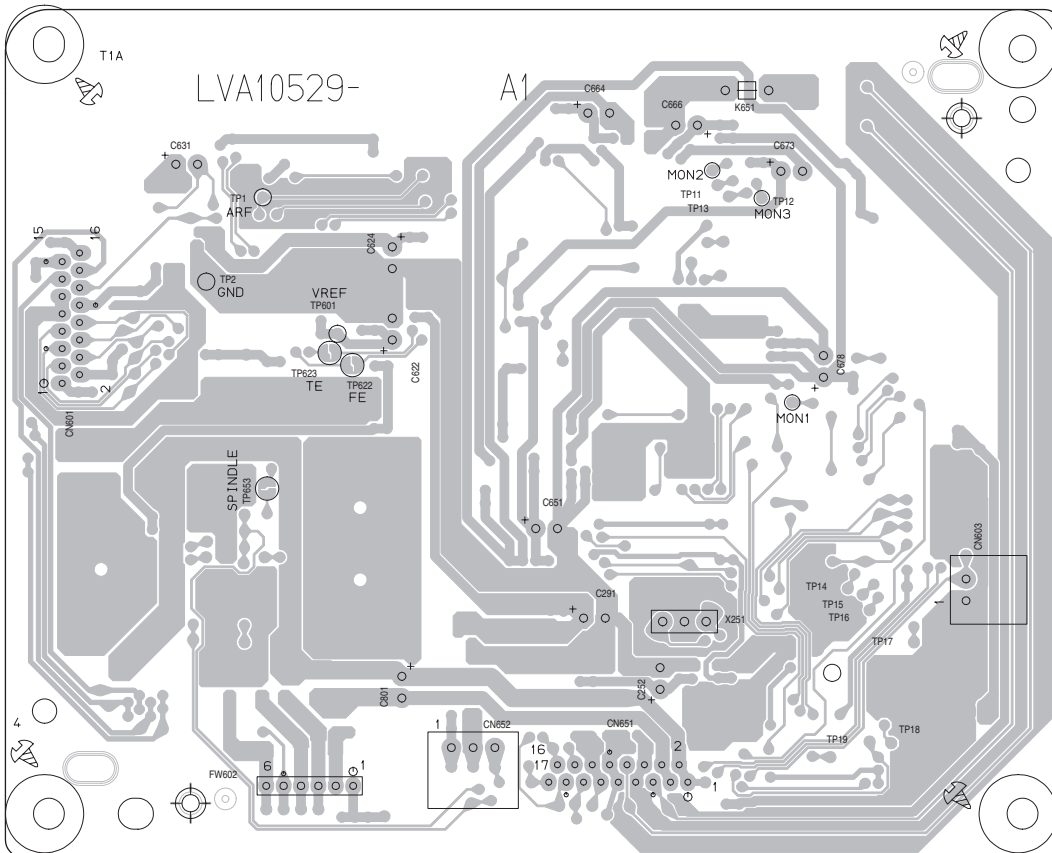


■ CD servo board

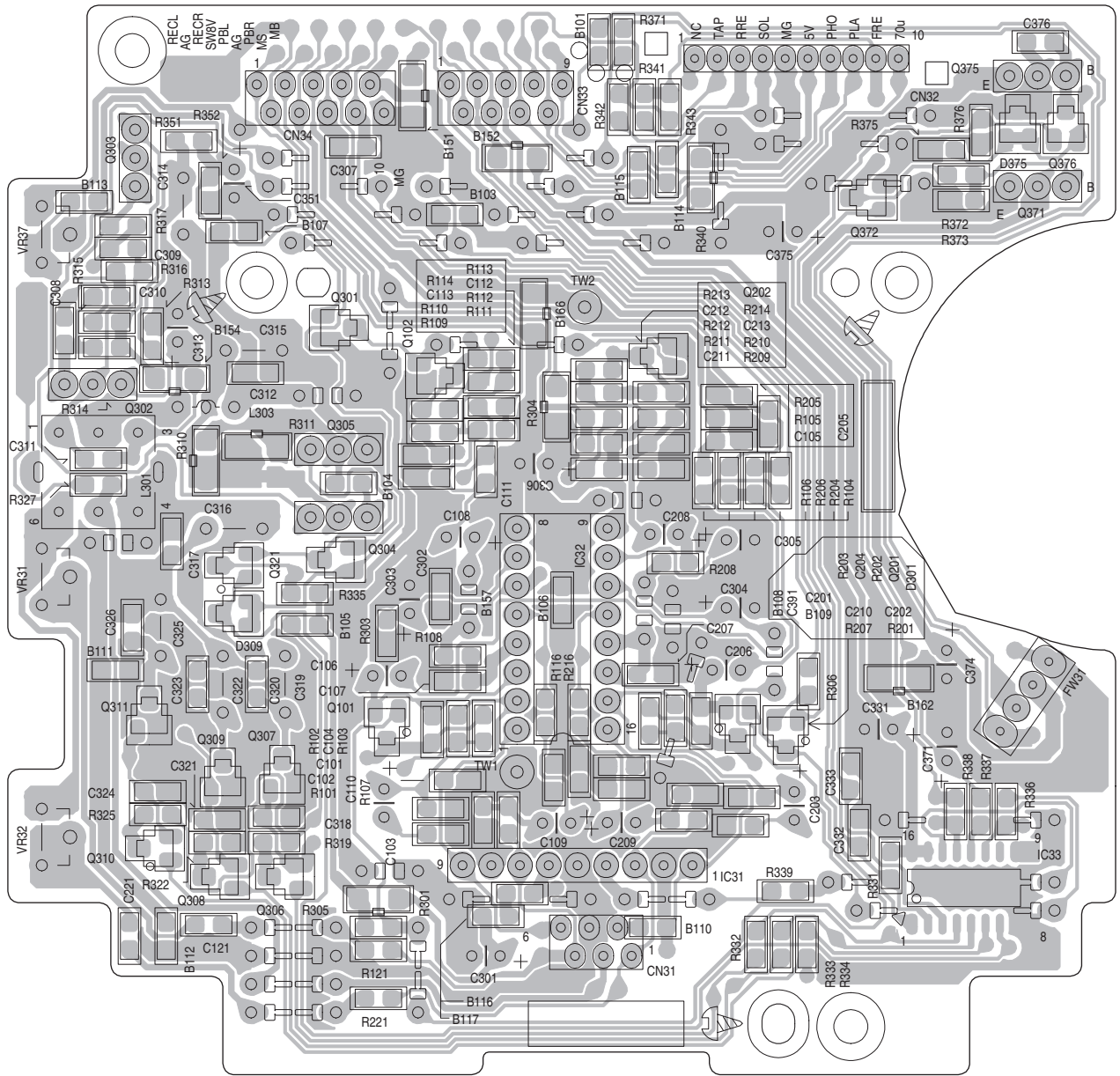
Forward side



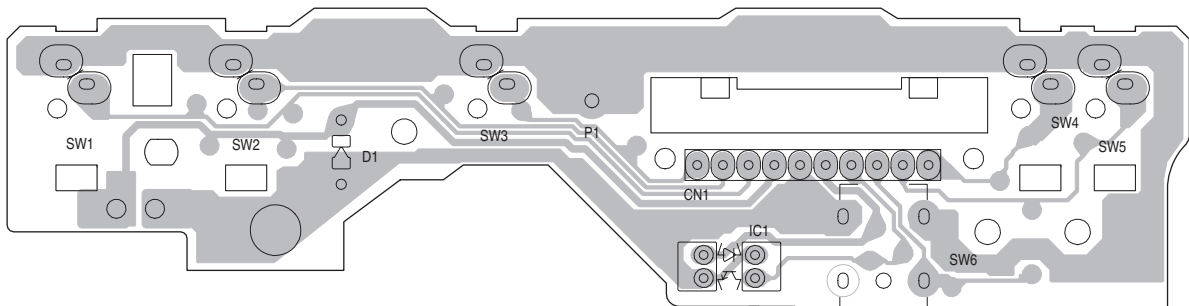
Reverse side



■ Head amplifier & Mechanism control board



■ Switch board



JVC

Victor Company of Japan, Limited

AV & MULTIMEDIA COMPANY AUDIO/VIDEO SYSTEMS CATEGORY 10-1, 1chome, Ohwatari-machi, Maebashi-city, 371-8543, Japan

(No.MB319BSCH)



Printed in Japan
VPT

PARTS LIST

[RV-NB1]

* All printed circuit boards and its assemblies are not available as service parts.

Area suffix

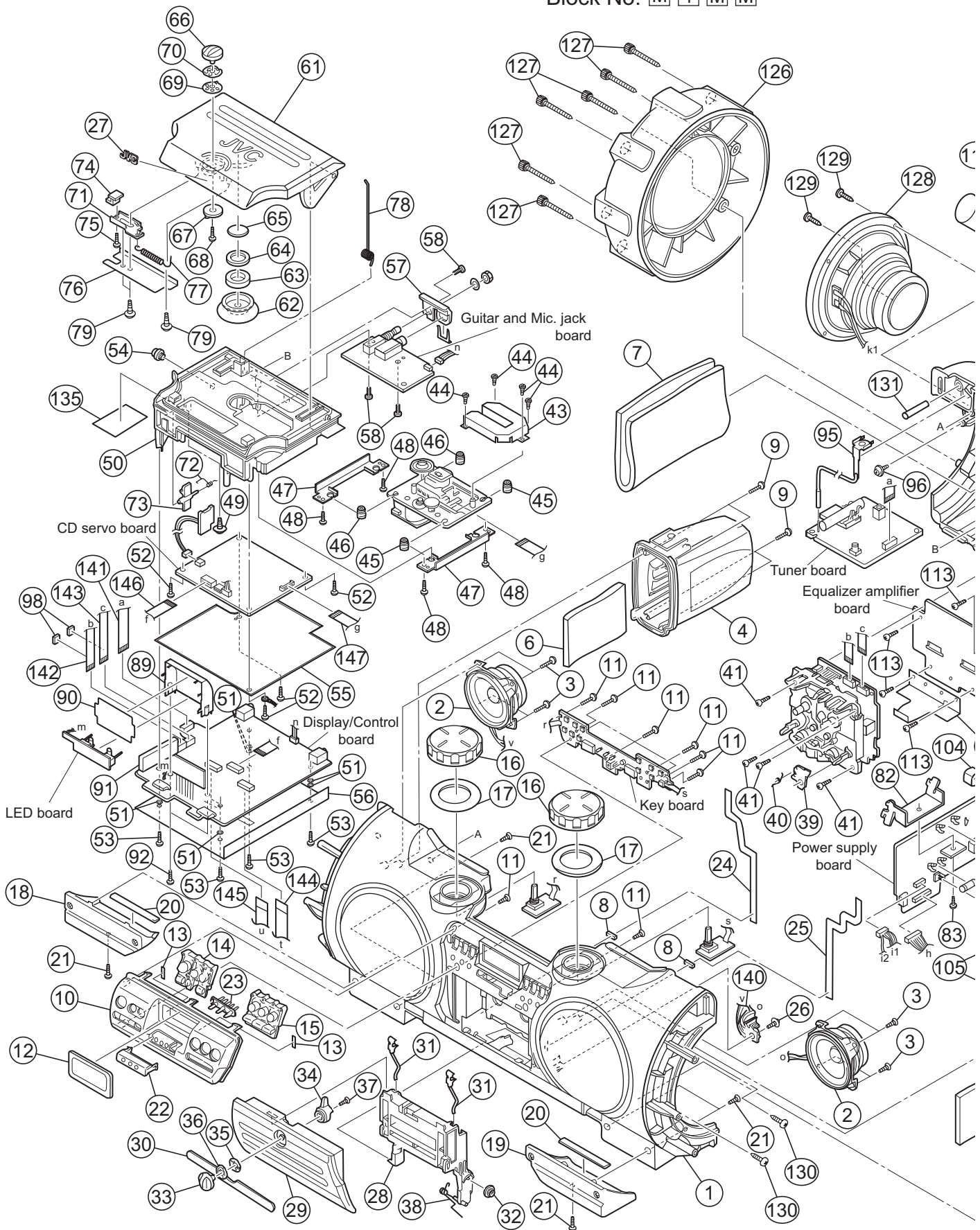
B ----- U.K.
E ----- Continental Europe
EN ----- Northern Europe

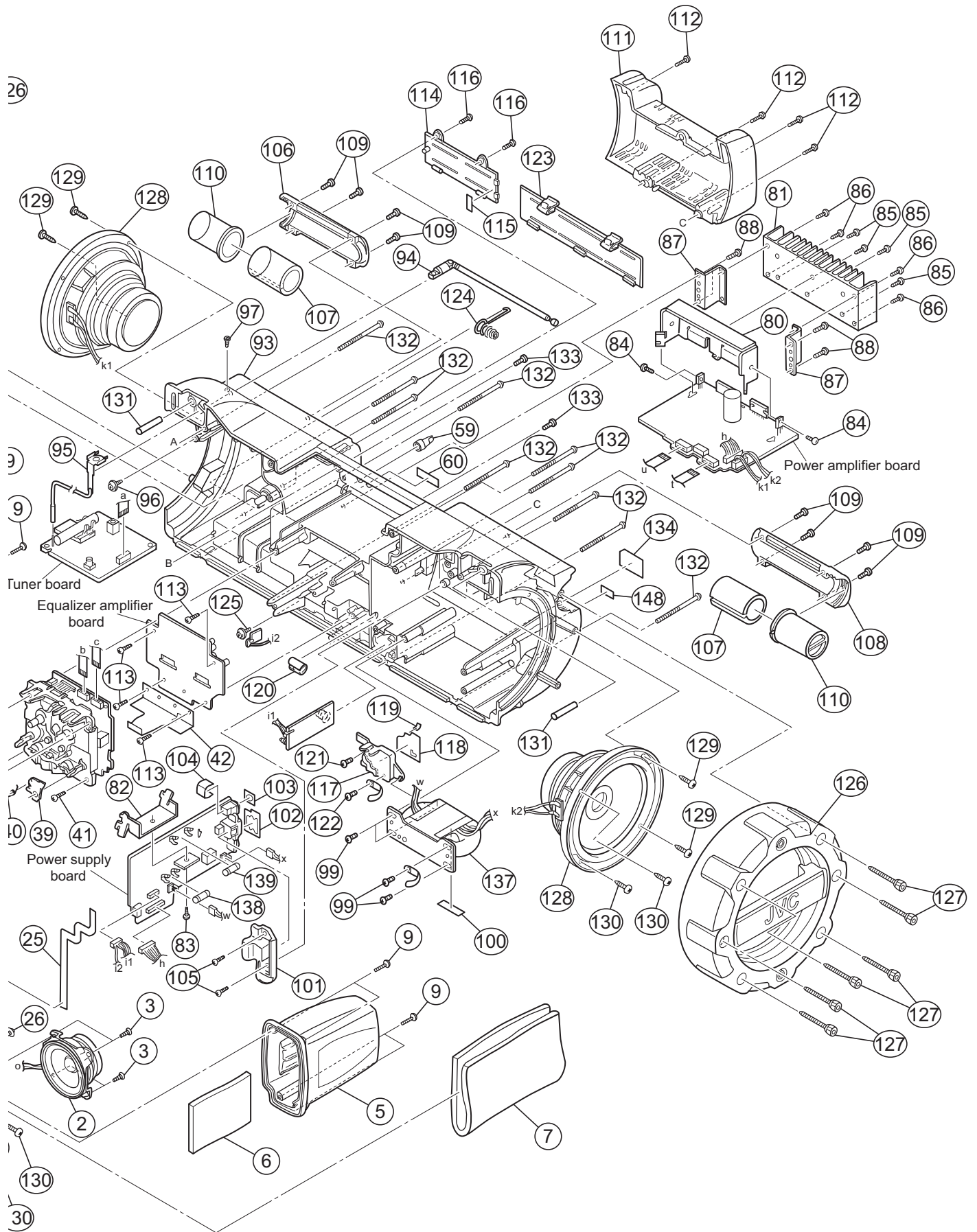
- Contents -

Exploded view of general assembly and parts list (Block No.M1)	3- 2
CD mechanism assembly and parts list (Block No.MB)	3- 6
Cassette mechanism assembly and parts list (Block No.MP)	3- 8
Electrical parts list (Block No.01~06)	3-10
Packing materials and accessories parts list (Block No.M3)-.....	3-20

Exploded view of general assembly and parts list

Block No. M 1 M M





General Assembly

Block No. [M][1][M][M]

Symbol No.	Part No.	Part Name	Description	Local
1	VJG1500-00G	FRONT CABI SA		
2	LE10008-024A	SPEAKER	(x2)	
3	QYSBSF3010ZA	TAP SCREW	M3 x 10mm(x8)	
4	VYH2280-002	CAP (L)		
5	VYH2281-002	CAP (R)		
6	VKZ4389-009	SOUND ABSORBER	(x2)	
7	VKZ4805-001UL	SOUND ABSORBER	(x2)	
8	VYSH102-097	SPACER	(x2)	
9	QYSBSF3010ZA	TAP SCREW	M3 x 10mm(x8)	
10	VJD2495-061	FRONT COVER(A)		
11	QYSBSF2608ZA	TAP SCREW	M2.6 x 8mm(x10)	
12	VJK4520-001	LCD LENS		
13	VYSH102-098	SPACER	(x2)	
14	VXP3890-031	POWER BUTTON(A)		
15	VXP3891-061	FUNC. BTN(A)		
16	VXL4455-002	VOL.KNOB	(x2)	
17	VYTS539-003	VOL.SHEET	(x2)	
18	VJF3007-001	FOOT		
19	VJF3007-002	FOOT		
20	VYSA1R6-079	SPACER	(x2)	
21	QYSBSF3010ZA	TAP SCREW	M3 x 10mm(x6)	
22	VJK4516-002	LENS		
23	VJD5512-001	LED LENS		
24	VYTH539-002	PACKING SHEET L		
25	VYTH540-002	PACKING SHEET R		
26	QYSBSFG3010ZA	TAP SCREW	M3 x 10mm	
27	PQ45130-7	JVC MARK		
28	VJT2389-041	CASSETTE HOLDER		
29	VJT2390-031	DOOR COVER		
30	VJT4246-061	DOOR LENS		
31	VKY4180-401	CASSETTE SPRING	(x2)	
32	VYH5601-001	GEAR		
33	VXL4458-031	EJECT KNOB		
34	VYH8174-001	CAM(A)		
35	VKY4736-001	PLATE SPRING(A)		
36	VKY4737-002	PLATE SPRING(B)		
37	QYSBSF2008ZA	TAP SCREW	M2 x 8mm	
38	VKW5309-001	DOOR SPRING		
39	VKL7850-303	EJECT SAFETY(R)		
40	VKW5258-003	TORSION SPRING		
41	QYSBSF3014ZA	TAP SCREW	M3 x 14mm(x4)	
42	VMA4728-003	HEAD SHIELD		
43	LV34126-002A	PICK COVER		
44	QYSBSF2006NA	TAP SCREW	M2 x 6mm(x4)	
45	FMYH4003-003	INSULATOR	(x2)	
46	FMYH4003-004	INSULATOR	(x2)	
47	VYH7815-001	CD MECHA HOLDER	(x2)	
48	QYSBSF3010ZA	TAP SCREW	M3 x 10mm(x4)	
49	E65923-009	TAPPING SCREW		
50	LV10179-002A	CD CASE		
51	LV30226-039A	SPACER	(x6)	
52	QYSBSF3010ZA	TAP SCREW	M3 x 10mm(x4)	
53	QYSBSF3010ZA	TAP SCREW	M3 x 10mm(x4)	
54	VYH4769-002SS	GEAR		
55	LV35863-001A	SHIELD A		
56	LV35864-001A	SHIELD B		
57	LV40779-001A	BRACKET		
58	QYSBSF3010ZA	TAP SCREW	M3 x 10mm(x3)	
59	LV40759-001A	KNOB		
60	LV40760-001A	MIC PLATE		
61	VJT1060-061	CD DOOR		
62	LV35263-001A	CLAMPER		
63	LV42929-001A	P.C.MAGNET		
64	VYH7314-001	YOKE		
65	LV43667-001A	CLAMPER WEIGHT		
66	VXL4458-031	EJECT KNOB		
67	VYH8197-001	CAM(B)		
68	QYSBSF2008ZA	TAP SCREW	M2 x 8mm	
69	VKY4736-001	PLATE SPRING(A)		
70	VKY4737-002	PLATE SPRING(B)		
71	VYH8178-001	SLIDER(B)		
72	VKW5334-001	SWITCH SPRING		
73	VYH8204-001	SWITCH LEVER		
74	VYH8205-001	LOCK		

△	Symbol No.	Part No.	Part Name	Description	Local
	75	QYSDSF2606MA	TAP SCREW	M2.6 x 6mm	
	76	VYH8176-003	COVER		
	77	VKW5352-001	TENSION SPRING		
	78	VKW5335-002	CD DOOR SPRING		
	79	VKZ4794-003	SPECIAL SCREW	(x3)	
	80	VMH3021-001	HEAT SINK		
	81	VYH3892-005	HEAT SINK		
	82	VMH4055-002	HEAT SINK		
	83	QYSBSF3010ZA	TAP SCREW	M3 x 10mm	
	84	QYSBSF3010ZA	TAP SCREW	M3 x 10mm(x2)	
	85	QYSBSF3010ZA	TAP SCREW	M3 x 10mm(x4)	
	86	QYSBST3008ZA	TAP SCREW	M3 x 8mm(x4)	
	87	VYH8188-002	BRACKET	(x2)	
	88	QYSBSF3010ZA	TAP SCREW	M3 x 10mm(x4)	
	89	LV35225-001A	LCD HOLDER		
	90	LV43895-001A	SHEET		
	91	LV43896-001A	LED HOLDER		
	92	QYSDSF2608ZA	TAP SCREW	M2.6 x 8mm(x2)	
	93	VJG1502-062	REAR CABI		
	94	QZW0152-001	ROD ANTENNA		
	95	VYH5012-005	TERMINAL LUG		
	96	E65923-009	TAPPING SCREW		
	97	QYSDSP3012NA	SCREW	M3 x 12mm	
	98	VYSH101-009	SPACER	(x2)	
	99	QYSBSF4012ZA	TAP SCREW	M4 x 12mm(x4)	
	100	VYSH101-028	SPACER		
	101	VYH8179-003	JACK HOLDER		
	102	VYTH543-001	SHEET(AC)		
	103	VYTH544-001	SHEET(DC)		
	104	VYSA1R6-080	SPACER		
	105	QYSBSF3010ZA	TAP SCREW	M3 x 10mm(x2)	
	106	VJD2503-001	DUCT		
	107	VKZ4796-003	SOUND ABSOBER	(x2)	
	108	VJD2503-002	DUCT		
	109	QYSBSF3010ZA	TAP SCREW	M3 x 10mm(x8)	
	110	VJD5510-001	DUCT CAP	(x2)	
	111	VJD1230-061UL	GRILLE		
	112	QYSBSF3010ZA	TAP SCREW	M3 x 10mm(x4)	
	113	QYSBSF3010ZA	TAP SCREW	M3 x 10mm(x4)	
	114	VJE3036-061	BATT.LID		
	115	VYSA1R4-056	SPACER		
	116	QYSBSF3010ZA	TAP SCREW	M3 x 10mm(x2)	
	117	VYH8199-061	COVER		
	118	VYTH542-001	SHEET(COVER)		
	119	VYSH101-029	SPACER		
	120	VYSH101-027	SPACER		
	121	QYSBSF3010ZA	TAP SCREW	M3 x 10mm	
	122	QYSBSF3010ZA	TAP SCREW	M3 x 10mm	
	123	VJC2603-061	BATTERY COVER		
	124	VYH5657-001	BATTERY SPRING		
	125	E65923-009	TAPPING SCREW		
	126	VJD1233-00GUL	SIDE PROTECT.AS	(x2)	
	127	VKZ4795-002	SPECIAL SCREW	(x12)	
	128	LE10016-057A	SPEAKER	(x2)	
	129	QYSBSF4012ZA	TAP SCREW	M4 x 12mm(x4)	
	130	QYSBSF4012ZA	TAP SCREW	M4 x 12mm(x4)	
	131	VKH3012-073	SHAFT(E)	(x2)	
	132	QYSBSF3035ZA	TAP SCREW	M3 x 35mm(x10)	
	133	QYSBSF3010ZA	TAP SCREW	M3 x 10mm(x2)	
	134	LV35226-004A	RATING LABEL		
	135	LV42035-002A	LASER CAUTION		
△	137	QQT0466-001	POWER TRANSF	T 1901	
△	138	QMFZ031-8R0-J1	FUSE	F1902 8A	
△	139	QMF5AE2-6R3-J1	FUSE	F1904 6.3A AC250V	
	140	WJJ0002-001A-E	E-SI C WIRE C-C		
	141	QUQ412-0912CJ	FFC WIRE	9pin 12cm	
	142	QUQ412-0916CJ	FFC WIRE	9pin 16cm	
	143	QUQ412-1018CJ	FFC WIRE	10pin 18cm	
	144	QUQ412-1310CJ	FFC WIRE	13pin 10cm	
	145	QUQ412-1310CJ	FFC WIRE	13pin 10cm	
	146	QUQ110-1712AJ	FFC WIRE	17pin 12cm	
	147	QUQ110-1607AJ	FFC WIRE	16pin 7cm	
	148	LV44241-001A	LABEL		

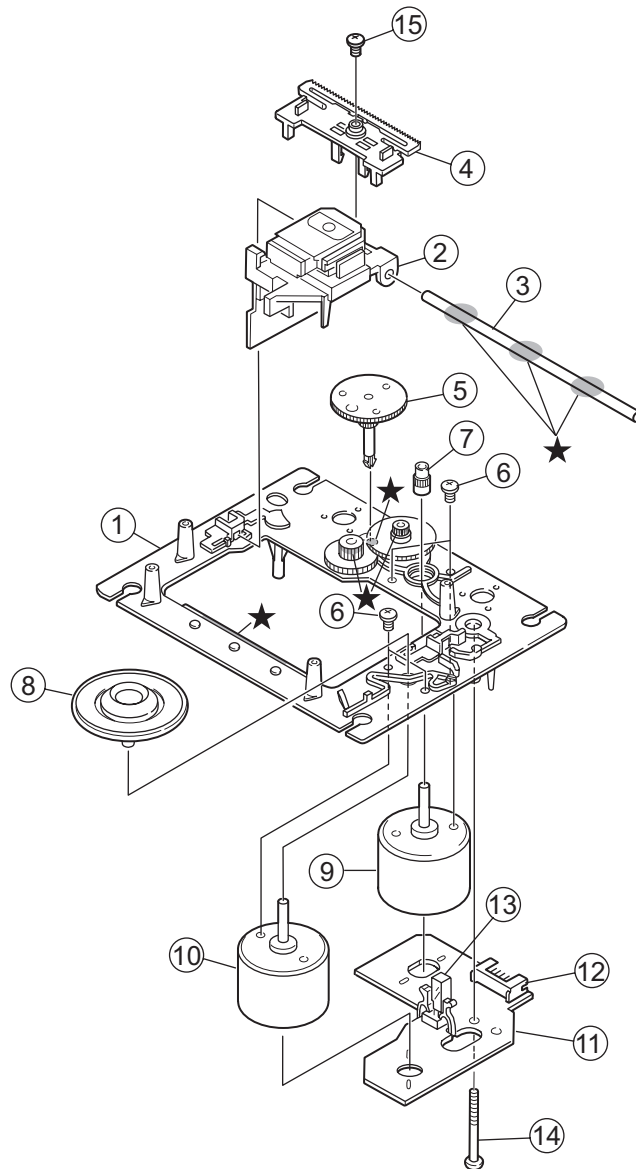
CD mechanism assembly and parts list

Block No. M B M M

Grease & Bond

★ = JVG-31N

FXL-M73-2M



The parts without symbol number are not service.

CD mechanism

Block No. [M][B][M][M]

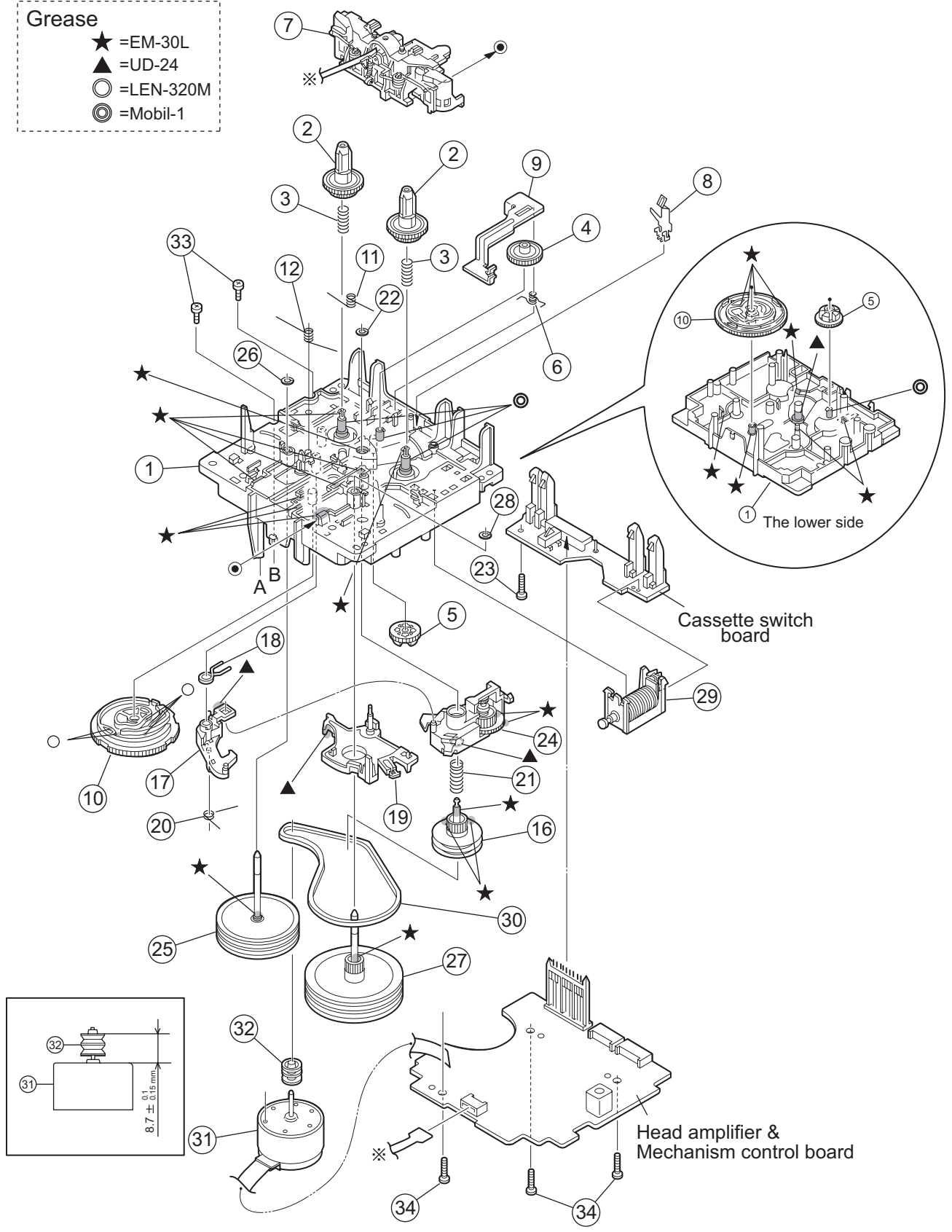
△	Symbol No.	Part No.	Part Name	Description	Local
	1	LV10723-002A	CD MECHA BASE A		
	2	OPTIMA-73B2	CD PICK		
	3	E406777-002SM	C.D SHAFT		
	4	LV31002-001A	CD RACK		
	5	E307745-441SM	C.D GEAR 3		
	6	QYSDSP2003N	SCREW	M2 x 3mm(x4)	
	7	E406750-442SM	PINION		
	8	LV43119-002A	T.T PACKING		
	9	QAR0253-001	FEED MOTOR		
	10	QAR0130-001	SP MOTOR		
	11	EMW10190-441	CIR BOARD		
	12	QGA2001F1-06	CONNECTOR	W-B (1-6)	
	13	QSW0506-001	LEAF SWITCH		
	14	E75832-221SS	SPECIAL SCREW		
	15	QYSDSF2006Z	SCREW	M2 x 6mm	

Cassette mechanism assembly and parts list

SLC-S41M

Block No. M P M M

- Grease**
- ★ =EM-30L
 - ▲ =UD-24
 - =LEN-320M
 - ◎ =Mobil-1



The parts without symbol number are not service.

Cassette mechanism

Block No. [M][P][M][M]

△	Symbol No.	Part No.	Part Name	Description	Local
	1	VKS1165-00N	CHASSIS B. ASSY		
	2	VKS2274-002	REEL GEAR	(x2)	
	3	VKW5286-002	B.T. SPRING	(x2)	
	4	VKS5559-001	PLAY IDLE GEAR		
	5	VKS5595-002	BLIND		
	6	LV42013-001A	EARTH SPRING		
	7	SLC-RP1SVM	HEAD MOUNT ASSY		
	8	VKY3149-002	CASSETTE SP.		
	9	VKM3906-004	PLAY SW.LEVER		
	10	VKS1166-003	CONTROL CAM		
	11	VKW5279-002	HEAD BASE SP(R)		
	12	VKW5280-001	HEAD BASE SP(L)		
	16	VKS5603-00H	MAIN PULLEY ASY		
	17	VKS3785-001MM	FR ARM		
	18	VKW5284-002	SWING SPRING		
	19	VKS2278-003	TRIGGER ARM		
	20	VKW5301-001	FR SPRING		
	21	VKW5266-001	ELEVATOR SPRING		
	22	WDL214035-2	SLIT WASHER		
	23	QYSBSF2005ZA	TAP SCREW	M2 x 5mm	
	24	VKS3786-00G	CLUTCH ASSY		
	25	VKF3205-00B	F.WHEEL ASSY(R)		
	26	WDL183425	SLIT WASHER		
	27	VKF3207-00C	F.WHEEL ASSY(L)		
	28	WDL173525-6	SLIT WASHER		
	29	VKZ3174-00A	DC SOLENOID		
	30	LV42836-001A	CAPSTAN BELT		
	31	QAR0309-001	D.C.MOTOR		
	32	VKR4761-003	MOTOR PULLEY		
	33	QYSPSP2604ZA	SCREW	M2.6 x 4mm(x2)	
	34	QYSBSF2608ZA	TAP SCREW	M2.6 x 8mm(x3)	

Electrical parts list

Main board

Block No. [0][1]				
△ Symbol No.	Part No.	Part Name	Description	Local
	IC2	TA2008AN	IC	
	IC3	LC72136N	IC	
△	IC301	TA8233H	IC	
△	IC390	KIA78DL06PI	IC	
△	IC601	TA8223K	IC	
	IC701	BA15218N	IC	
	IC702	BA15218N	IC	
	IC703	BA15218N	IC	
	IC704	BA15218N	IC	
	IC801	BA15218N	IC	
	Q2	2SC2668/O-T	TRANSISTOR	
	Q3	2SC2668/O-T	TRANSISTOR	
	Q4	2SA1175/HFE/-T	TRANSISTOR	
	Q5	2SC2668/O-T	TRANSISTOR	
	Q6	2SC2668/O-T	TRANSISTOR	
	Q14	KRA107M-T	DIGI TRANSISTOR	
	Q3191	KRA110M-T	TRANSISTOR	
△	Q3192	2SA1359/OY/	TRANSISTOR	
	Q3193	KRA111M-T	DIGI TRANSISTOR	
	Q3194	KTC3199/GLJ-T	TRANSISTOR	
	Q3195	KTA1267/YG/-T	TRANSISTOR	
△	Q3196	KTA1023/OY/-T	TRANSISTOR	
	Q3197	KTC3199/GLJ-T	TRANSISTOR	
	Q3198	KRC111M-T	TRANSISTOR	
	Q3301	KTA1267/YG/-T	TRANSISTOR	
△	Q3302	2SA1359/OY/	TRANSISTOR	
	Q3303	KRA114M-T	TRANSISTOR	
	Q3304	KRC114M-T	TRANSISTOR	
	Q3305	KTC3199/GLJ-T	TRANSISTOR	
	Q3306	KTC3199/GLJ-T	TRANSISTOR	
	Q3491	KTA1267/YG/-T	TRANSISTOR	
△	Q3492	KTA1046/Y/	TRANSISTOR	
	Q3493	KRA114M-T	TRANSISTOR	
	Q3494	KRC114M-T	TRANSISTOR	
	Q3495	KTC3199/GLJ-T	TRANSISTOR	
	Q3496	KTC3199/GLJ-T	TRANSISTOR	
	Q6101	KTC3203/OY/-T	TRANSISTOR	
	Q6201	KTC3203/OY/-T	TRANSISTOR	
	Q6301	2SA952/LK/-T	TRANSISTOR	
	Q6302	KTC3199/GLJ-T	TRANSISTOR	
	Q6303	KRA102M-T	DIGI TRANSISTOR	
	Q6304	KTC3203/OY/-T	TRANSISTOR	
	Q6305	KRC102M-T	DIGI TRANSISTOR	
	Q6306	KRC102M-T	DIGI TRANSISTOR	
	Q6307	KRC102M-T	DIGI TRANSISTOR	
	Q6308	KRC102M-T	DIGI TRANSISTOR	
	Q7301	KTC3199/GLJ-T	TRANSISTOR	
	Q7302	KTC3199/GLJ-T	TRANSISTOR	
	Q7303	2SK301/R/-T	JUNCTION FET	
	Q8101	KTC3199/GLJ-T	TRANSISTOR	
	Q8201	KTC3199/GLJ-T	TRANSISTOR	
	D1	SVC203SPA-JV-T	VARI CAP	
	D2	SVC203SPA-JV-T	VARI CAP	
	D5	1SS133-T2	SI DIODE	
	D6	1SS133-T2	SI DIODE	
	D8	SVC344-T	VARI CAP	
	D10	SVC344-T	VARI CAP	
	D12	1A3G-T1	SI DIODE	
	D3191	1SS133-T2	SI DIODE	
	D3192	MTZJ7.5A-T2	Z DIODE	
	D3193	SRT14	DIODE	
	D3194	MTZJ7.5A-T2	Z DIODE	
	D3195	1SS133-T2	SI DIODE	
	D3196	1SS133-T2	SI DIODE	
	D3301	1SS133-T2	SI DIODE	
	D3302	MTZJ9.1A-T2	Z DIODE	
	D3491	1SS133-T2	SI DIODE	
	D3492	MTZJ9.1A-T2	Z DIODE	
	D3493	1SS133-T2	SI DIODE	
	D3901	MTZJ8.2B-T2	Z DIODE	

△ Symbol No.	Part No.	Part Name	Description	Local
	D6301	1SS133-T2	SI DIODE	
	D6302	1SS133-T2	SI DIODE	
	D6304	1SS133-T2	SI DIODE	
	D7301	1SS133-T2	SI DIODE	
	D7302	1SS133-T2	SI DIODE	
	D7303	1SS133-T2	SI DIODE	
	D7304	1SS133-T2	SI DIODE	
	D7305	1SS133-T2	SI DIODE	
	D7306	1SS133-T2	SI DIODE	
	D7307	MTZJ4.3B-T2	Z DIODE	
	D8301	MTZJ4.3B-T2	Z DIODE	
	C3	QCSB1HK-6R8Y	C CAPACITOR	6.8pF 50V K
	C6	QDYB1CM-103Y	C CAPACITOR	0.01uF 16V M
	C7	QCSB1HJ-200Y	C CAPACITOR	20pF 50V J
	C9	QCSB1HJ-120Y	C CAPACITOR	12pF 50V J
	C13	QDX31EM-223Z	C CAPACITOR	0.022uF 25V M
	C16	QDYB1CM-103Y	C CAPACITOR	0.01uF 16V M
	C21	QDX11EM-473Z	C CAPACITOR	0.047uF 25V M
	C22	QFP31HJ-431Z	PP CAPACITOR	430pF 50V J
	C23	QDCB1HJ-120Y	C CAPACITOR	12pF 50V J
	C24	QCSB1HJ-620Y	C CAPACITOR	62pF 50V J
	C25	QETN1HM-104Z	E CAPACITOR	0.1uF 50V M
	C26	QFP31HJ-181Z	PP CAPACITOR	180pF 50V J
	C27	QCS31HJ-101Z	C CAPACITOR	100pF 50V J
	C28	QCSB1HJ-150Y	C CAPACITOR	15pF 50V J
	C31	QDGB1HK-102Y	C CAPACITOR	1000pF 50V K
	C32	QDYB1CM-103Y	C CAPACITOR	0.01uF 16V M
	C33	QETN1AM-107Z	E CAPACITOR	100uF 10V M
	C35	QDYB1CM-103Y	C CAPACITOR	0.01uF 16V M
	C36	QETN1HM-475Z	E CAPACITOR	4.7uF 50V M
	C37	QDGB1HK-102Y	C CAPACITOR	1000pF 50V K
	C40	QETN1HM-105Z	E CAPACITOR	1uF 50V M
	C41	QETN1CM-106Z	E CAPACITOR	10uF 16V M
	C42	QDX11EM-473Z	C CAPACITOR	0.047uF 25V M
	C44	QETN1HM-105Z	E CAPACITOR	1uF 50V M
	C45	QETN1HM-474Z	E CAPACITOR	0.47uF 50V M
	C47	QDX31EM-123Z	C CAPACITOR	0.012uF 25V M
	C48	QDX31EM-123Z	C CAPACITOR	0.012uF 25V M
	C49	QETN1HM-104Z	E CAPACITOR	0.1uF 50V M
	C50	QETN1HM-104Z	E CAPACITOR	0.1uF 50V M
	C51	QDGB1HK-681Y	C CAPACITOR	680pF 50V K
	C52	QDGB1HK-102Y	C CAPACITOR	1000pF 50V K
	C56	QDGB1HK-102Y	C CAPACITOR	1000pF 50V K
	C60	QDGB1HK-102Y	C CAPACITOR	1000pF 50V K
	C61	QETN1AM-107Z	E CAPACITOR	100uF 10V M
	C62	QDCB1HJ-120Y	C CAPACITOR	12pF 50V J
	C63	QDGB1HK-102Y	C CAPACITOR	1000pF 50V K
	C64	QDCB1HJ-120Y	C CAPACITOR	12pF 50V J
	C65	QDGB1HK-102Y	C CAPACITOR	1000pF 50V K
	C66	QCBB1HK-151Y	C CAPACITOR	150pF 50V K
	C69	QCBB1HK-222Y	C CAPACITOR	2200pF 50V K
	C70	QETN1HM-225Z	E CAPACITOR	2.2uF 50V M
	C71	QETN1HM-335Z	E CAPACITOR	3.3uF 50V M
	C77	QDGB1HK-102Y	C CAPACITOR	1000pF 50V K
	C3191	QETN1HM-475Z	E CAPACITOR	4.7uF 50V M
	C3192	QETN1EM-107Z	E CAPACITOR	100uF 25V M
	C3193	QCBB1HK-101Y	C CAPACITOR	100pF 50V K
	C3194	QETN1EM-107Z	E CAPACITOR	100uF 25V M
	C3301	QDYB1CM-103Y	C CAPACITOR	0.01uF 16V M
	C3302	NCB31HK-221X	C CAPACITOR	220pF 50V K
	C3303	QETN1CM-107Z	E CAPACITOR	100uF 16V M
	C3491	NCB31HK-103X	C CAPACITOR	0.01uF 50V K
	C3492	NCB31HK-221X	C CAPACITOR	220pF 50V K
	C3493	QETN1CM-107Z	E CAPACITOR	100uF 16V M
	C3901	QETN1CM-107Z	E CAPACITOR	100uF 16V M
	C3902	QFLC1HJ-104Z	M CAPACITOR	0.1uF 50V J
	C5308	QER61HM-474Z	E CAPACITOR	0.47uF 50V M
	C6101	QFVF1HJ-224Z	MF CAPACITOR	0.22uF 50V J
	C6102	QCBB1HK-151Y	C CAPACITOR	150pF 50V K
	C6103	QETN1EM-107Z	E CAPACITOR	100uF 25V M
	C6104	QFVF1HJ-104Z	MF CAPACITOR	0.1uF 50V J
	C6105	QETN1EM-476Z	E CAPACITOR	47uF 25V M
	C6106	QETN1EM-108Z	E CAPACITOR	1000uF 25V M
	C6107	QTE1V06-226Z	E CAPACITOR	22uF 35V
	C6108	NDC31HJ-151X	C CAPACITOR	150pF 50V J

△ Symbol No.	Part No.	Part Name	Description	Local	△ Symbol No.	Part No.	Part Name	Description	Local
C6201	QFVF1HJ-224Z	MF CAPACITOR	0.22uF 50V J		R19	QRE141J-222Y	C RESISTOR	2.2kΩ 1/4W J	
C6202	QCBB1HK-151Y	C CAPACITOR	150pF 50V K		R20	QRE141J-102Y	C RESISTOR	1kΩ 1/4W J	
C6203	QETN1EM-107Z	E CAPACITOR	100uF 25V M		R21	QRE141J-103Y	C RESISTOR	10kΩ 1/4W J	
C6204	QFVF1HJ-104Z	MF CAPACITOR	0.1uF 50V J		R28	QRE141J-512Y	C RESISTOR	5.1kΩ 1/4W J	
C6205	QETN1EM-476Z	E CAPACITOR	47uF 25V M		R30	QRE141J-104Y	C RESISTOR	100kΩ 1/4W J	
C6206	QETN1EM-108Z	E CAPACITOR	1000uF 25V M		R31	QRE141J-123Y	C RESISTOR	12kΩ 1/4W J	
C6207	QTE1V06-226Z	E CAPACITOR	22uF 35V		R33	QRE141J-101Y	C RESISTOR	100Ω 1/4W J	
C6208	NDC31HJ-151X	C CAPACITOR	150pF 50V J		R34	QRE141J-183Y	C RESISTOR	18kΩ 1/4W J	
C6301	QETN1EM-227Z	E CAPACITOR	220uF 25V M		R35	QRE141J-183Y	C RESISTOR	18kΩ 1/4W J	
C6302	QETN1HM-106Z	E CAPACITOR	10uF 50V M		R36	QRE141J-222Y	C RESISTOR	2.2kΩ 1/4W J	
C6303	QFVF1HJ-104Z	MF CAPACITOR	0.1uF 50V J		R37	QRE141J-560Y	C RESISTOR	56kΩ 1/4W J	
C6304	QFVF1HJ-154Z	MF CAPACITOR	0.15uF 50V J		R40	QRE141J-222Y	C RESISTOR	2.2kΩ 1/4W J	
C6305	QETN1HM-105Z	E CAPACITOR	1uF 50V M		R41	QRE141J-222Y	C RESISTOR	2.2kΩ 1/4W J	
C6306	QETN1AM-227Z	E CAPACITOR	220uF 10V M		R42	QRE141J-473Y	C RESISTOR	47kΩ 1/4W J	
C6307	QETN1HM-106Z	E CAPACITOR	10uF 50V M		R44	QRE141J-222Y	C RESISTOR	2.2kΩ 1/4W J	
C6308	QETN1HM-474Z	E CAPACITOR	0.47uF 50V M		R45	QRE141J-102Y	C RESISTOR	1kΩ 1/4W J	
C6309	QETN1HM-474Z	E CAPACITOR	0.47uF 50V M		R46	QRE141J-103Y	C RESISTOR	10kΩ 1/4W J	
C6310	QCBB1HK-101Y	C CAPACITOR	100pF 50V K		R47	QRE141J-471Y	C RESISTOR	470Ω 1/4W J	
C6311	QETN1HM-106Z	E CAPACITOR	10uF 50V M		R48	QRE141J-102Y	C RESISTOR	1kΩ 1/4W J	
C6312	QETN1EM-227Z	E CAPACITOR	220uF 25V M		R51	QRE141J-102Y	C RESISTOR	1kΩ 1/4W J	
C6313	QCBB1HK-101Y	C CAPACITOR	100pF 50V K		R52	QRE141J-472Y	C RESISTOR	4.7kΩ 1/4W J	
C6314	QFVF1HJ-104Z	MF CAPACITOR	0.1uF 50V J		R54	QRE141J-222Y	C RESISTOR	2.2kΩ 1/4W J	
C6315	QETM1EM-688	E CAPACITOR	6800uF 25V M		R55	QRE141J-222Y	C RESISTOR	2.2kΩ 1/4W J	
C6316	QFVF1HJ-104Z	MF CAPACITOR	0.1uF 50V J		R56	QRE141J-332Y	C RESISTOR	3.3kΩ 1/4W J	
C6317	QFVF1HJ-104Z	MF CAPACITOR	0.1uF 50V J		R57	QRE141J-102Y	C RESISTOR	1kΩ 1/4W J	
C6318	QFVF1HJ-104Z	MF CAPACITOR	0.1uF 50V J		R59	QRE141J-102Y	C RESISTOR	1kΩ 1/4W J	
C6319	QFVF1HJ-104Z	MF CAPACITOR	0.1uF 50V J		R60	QRE141J-102Y	C RESISTOR	1kΩ 1/4W J	
C6320	QETN1HM-106Z	E CAPACITOR	10uF 50V M		R61	QRE141J-102Y	C RESISTOR	1kΩ 1/4W J	
C6321	QETN1HM-106Z	E CAPACITOR	10uF 50V M		R64	QRE141J-102Y	C RESISTOR	1kΩ 1/4W J	
C7301	QETN1CM-107Z	E CAPACITOR	100uF 16V M		R3191	QRE141J-1R5Y	C RESISTOR	1.5Ω 1/4W J	
C7302	QETN1HM-474Z	E CAPACITOR	0.47uF 50V M		R3192	QRE141J-152Y	C RESISTOR	1.5kΩ 1/4W J	
C7303	QCSB1HK-3R3Y	C CAPACITOR	3.3pF 50V K		R3193	NRSA63J-104X	MG RESISTOR	100kΩ 1/16W J	
C7305	QETN1HM-475Z	E CAPACITOR	4.7uF 50V M		R3194	QRE141J-103Y	C RESISTOR	10kΩ 1/4W J	
C7306	QFVF1HJ-274Z	MF CAPACITOR	0.27uF 50V J		R3195	NRSA63J-222X	MG RESISTOR	2.2kΩ 1/16W J	
C7307	QETN1HM-475Z	E CAPACITOR	4.7uF 50V M		R3196	QRE141J-103Y	C RESISTOR	10kΩ 1/4W J	
C7308	QFLC1HJ-103Z	M CAPACITOR	0.01uF 50V J		R3197	QAD0015-153Z	THERMISTOR	15kΩ	
C7309	QETN1CM-107Z	E CAPACITOR	100uF 16V M		R3198	NRSA63J-472X	MG RESISTOR	4.7kΩ 1/16W J	
C7310	QFLC1HJ-153Z	M CAPACITOR	0.015uF 50V J		R3199	QRE141J-473Y	C RESISTOR	47kΩ 1/4W J	
C7311	QETN1HM-475Z	E CAPACITOR	4.7uF 50V M		R3200	QRE141J-123Y	C RESISTOR	12kΩ 1/4W J	
C7312	QETN1HM-105Z	E CAPACITOR	1uF 50V M		R3201	NRSA63J-152X	MG RESISTOR	1.5kΩ 1/16W J	
C7313	QETN1HM-475Z	E CAPACITOR	4.7uF 50V M		R3202	QRE141J-152Y	C RESISTOR	1.5kΩ 1/4W J	
C7314	QETN1CM-107Z	E CAPACITOR	100uF 16V M		R3203	QRE141J-103Y	C RESISTOR	10kΩ 1/4W J	
C7316	QETN1HM-475Z	E CAPACITOR	4.7uF 50V M		R3204	NRSA63J-222X	MG RESISTOR	2.2kΩ 1/16W J	
C7317	QFVF1HJ-104Z	MF CAPACITOR	0.1uF 50V J		R3301	QRE141J-471Y	C RESISTOR	470Ω 1/4W J	
C7318	QETN1CM-107Z	E CAPACITOR	100uF 16V M		R3302	QRE141J-1R0Y	C RESISTOR	1Ω 1/4W J	
C7319	QFVF1HJ-104Z	MF CAPACITOR	0.1uF 50V J		R3303	QRE141J-1R0Y	C RESISTOR	1Ω 1/4W J	
C7320	QFLC1HJ-393Z	M CAPACITOR	0.039uF 50V J		R3304	QRE141J-1R0Y	C RESISTOR	1Ω 1/4W J	
C7321	QFVF1HJ-154Z	MF CAPACITOR	0.15uF 50V J		R3305	QRE141J-222Y	C RESISTOR	2.2kΩ 1/4W J	
C7322	QER61HM-105Z	E CAPACITOR	1uF 50V M		R3306	QRE141J-682Y	C RESISTOR	6.8kΩ 1/4W J	
C7323	QETN1HM-106Z	E CAPACITOR	10uF 50V M		R3307	QRE141J-102Y	C RESISTOR	1kΩ 1/4W J	
C7324	QETN1HM-475Z	E CAPACITOR	4.7uF 50V M		R3308	QRE141J-222Y	C RESISTOR	2.2kΩ 1/4W J	
C8101	QFLC1HJ-563Z	M CAPACITOR	0.056uF 50V J		R3309	QRE141J-681Y	C RESISTOR	680Ω 1/4W J	
C8102	QFLC1HJ-563Z	M CAPACITOR	0.056uF 50V J		R3310	QRE141J-681Y	C RESISTOR	680Ω 1/4W J	
C8103	QETN1EM-476Z	E CAPACITOR	47uF 25V M		R3311	QRE141J-681Y	C RESISTOR	680Ω 1/4W J	
C8105	NCB31HK-331X	C CAPACITOR	330pF 50V K		R3312	QRE141J-472Y	C RESISTOR	4.7kΩ 1/4W J	
C8201	QFLC1HJ-563Z	M CAPACITOR	0.056uF 50V J		R3313	QRE141J-471Y	C RESISTOR	470Ω 1/4W J	
C8202	QFLC1HJ-563Z	M CAPACITOR	0.056uF 50V J		R3314	NRSA63J-332X	MG RESISTOR	3.3kΩ 1/16W J	
C8203	QETN1EM-476Z	E CAPACITOR	47uF 25V M		R3315	NRSA63J-472X	MG RESISTOR	4.7kΩ 1/16W J	
C8205	NCB31HK-331X	C CAPACITOR	330pF 50V K		R3316	NRSA63J-472X	MG RESISTOR	4.7kΩ 1/16W J	
C8301	QETN1EM-476Z	E CAPACITOR	47uF 25V M		R3491	QRE141J-471Y	C RESISTOR	470Ω 1/4W J	
C8303	QETN1HM-105Z	E CAPACITOR	1uF 50V M		R3492	QRE141J-1R0Y	C RESISTOR	1Ω 1/4W J	
C8304	NCB31HK-331X	C CAPACITOR	330pF 50V K		R3493	QRE141J-1R0Y	C RESISTOR	1Ω 1/4W J	
C8322	QETN1EM-476Z	E CAPACITOR	47uF 25V M		R3494	QRE141J-1R0Y	C RESISTOR	1Ω 1/4W J	
TC2	QAT3725-200Z	TRIM CAPACITOR	20pF		R3495	NRSA63J-222X	MG RESISTOR	2.2kΩ 1/16W J	
TC3	QAT3725-300Z	TRIM CAPACITOR	30pF		R3496	QRE141J-682Y	C RESISTOR	6.8kΩ 1/4W J	
R1	QRE141J-104Y	C RESISTOR	100kΩ 1/4W J		R3497	QRE141J-102Y	C RESISTOR	1kΩ 1/4W J	
R2	QRE141J-473Y	C RESISTOR	47kΩ 1/4W J		R3498	QRE141J-222Y	C RESISTOR	2.2kΩ 1/4W J	
R3	QRE141J-4R7Y	C RESISTOR	4.7Ω 1/4W J		R3499	QRE141J-681Y	C RESISTOR	680Ω 1/4W J	
R7	QRE141J-104Y	C RESISTOR	100kΩ 1/4W J		R3500	QRE141J-681Y	C RESISTOR	680Ω 1/4W J	
R9	QRE141J-102Y	C RESISTOR	1kΩ 1/4W J		R3501	QRE141J-681Y	C RESISTOR	680Ω 1/4W J	
R12	QRE141J-472Y	C RESISTOR	4.7kΩ 1/4W J		R3502	QRE141J-472Y	C RESISTOR	4.7kΩ 1/4W J	
R13	QRE141J-104Y	C RESISTOR	100kΩ 1/4W J		R3503	QRE141J-471Y	C RESISTOR	470Ω 1/4W J	
R14	QRE141J-103Y	C RESISTOR	10kΩ 1/4W J		R3504	QRE141J-332Y	C RESISTOR	3.3kΩ 1/4W J	
R15	QRE141J-222Y	C RESISTOR	2.2kΩ 1/4W J		R3505	QRE141J-472Y	C RESISTOR	4.7kΩ 1/4W J	
R16	QRE141J-472Y	C RESISTOR	4.7kΩ 1/4W J		R3506	QRE141J-472Y	C RESISTOR	4.7kΩ 1/4W J	
R17	QRE141J-104Y	C RESISTOR	100kΩ 1/4W J		R3507	NRSA63J-332X	MG RESISTOR	3.3kΩ 1/16W J	
R18	QRE141J-102Y	C RESISTOR	1kΩ 1/4W J		R3508	NRSA63J-682X	MG RESISTOR	6.8kΩ 1/16W J	
					R3901	QRZ9006-4R7X	F.RESISTOR	4.7Ω 1/4W J	

△ Symbol No.	Part No.	Part Name	Description	Local	△ Symbol No.	Part No.	Part Name	Description	Local
R5107	QRE141J-104Y	C RESISTOR	100kΩ 1/4W J		R8111	QRE141J-473Y	C RESISTOR	47kΩ 1/4W J	
R5207	QRE141J-104Y	C RESISTOR	100kΩ 1/4W J		R8201	QRE141J-332Y	C RESISTOR	3.3kΩ 1/4W J	
R6101	QRE141J-273Y	C RESISTOR	27kΩ 1/4W J		R8202	QRE141J-272Y	C RESISTOR	2.7kΩ 1/4W J	
R6102	QRE141J-121Y	C RESISTOR	120Ω 1/4W J		R8203	QRE141J-392Y	C RESISTOR	3.9kΩ 1/4W J	
R6103	QRE141J-123Y	C RESISTOR	12kΩ 1/4W J		R8204	QRE141J-104Y	C RESISTOR	100kΩ 1/4W J	
R6104	QRE141J-2R2Y	C RESISTOR	2.2Ω 1/4W J		R8205	QRE141J-332Y	C RESISTOR	3.3kΩ 1/4W J	
R6105	NRSA63J-472X	MG RESISTOR	4.7kΩ 1/16W J		R8207	QRE141J-103Y	C RESISTOR	10kΩ 1/4W J	
R6201	QRE141J-273Y	C RESISTOR	27kΩ 1/4W J		R8211	QRE141J-473Y	C RESISTOR	47kΩ 1/4W J	
R6202	QRE141J-121Y	C RESISTOR	120Ω 1/4W J		R8301	NRSA63J-102X	MG RESISTOR	1kΩ 1/16W J	
R6203	QRE141J-123Y	C RESISTOR	12kΩ 1/4W J		R8302	QRE141J-474Y	C RESISTOR	470kΩ 1/4W J	
R6204	QRE141J-2R2Y	C RESISTOR	2.2Ω 1/4W J		R8321	QRE141J-101Y	C RESISTOR	100Ω 1/4W J	
R6205	NRSA63J-472X	MG RESISTOR	4.7kΩ 1/16W J		R8327	NRSA63J-224X	MG RESISTOR	220kΩ 1/16W J	
R6301	NRSA63J-332X	MG RESISTOR	3.3kΩ 1/16W J		L1	QQR0772-001	OSC COIL		
R6302	NRSA63J-222X	MG RESISTOR	2.2kΩ 1/16W J		L2	QQR0769-001	RF COIL		
R6303	NRSA63J-562X	MG RESISTOR	5.6kΩ 1/16W J		L3	QQR0771-001	BAR ANTENA		
R6304	NRSA63J-104X	MG RESISTOR	100kΩ 1/16W J		L4	QQR0723-001	OSC COIL		
R6305	QRE141J-622Y	C RESISTOR	6.2kΩ 1/4W J		L6	QQR0774-001	OSC COIL(LW)		
R6306	QRE141J-182Y	C RESISTOR	1.8kΩ 1/4W J		L7	QQL231K-221Y	COIL	220uH K	
R6307	QRE141J-153Y	C RESISTOR	15kΩ 1/4W J		L12	QQR0756-001	COIL		
R6308	QRE141J-153Y	C RESISTOR	15kΩ 1/4W J		L3191	QQL28AK-101	CHOKE COIL	100uH K	
R6309	QRE141J-472Y	C RESISTOR	4.7kΩ 1/4W J		T2	QQR0719-001	I.F.TRANSFORME		
R6310	QRE141J-102Y	C RESISTOR	1kΩ 1/4W J		BP1	QQR0768-001Z	BP FILTER		
R6311	QRE141J-102Y	C RESISTOR	1kΩ 1/4W J		BS1	VYH5483-001	SPRING		
R6312	QRE141J-102Y	C RESISTOR	1kΩ 1/4W J		BS2	VYH7199-001	BATT.SPRING		
R6313	QRE141J-102Y	C RESISTOR	1kΩ 1/4W J		CF1	QAX0403-001	C FILTER	10.70MHz	
R6314	QRE141J-391Y	C RESISTOR	390Ω 1/4W J		CF3	QAX0404-001Z	C FILTER	10.700MHz	
R6315	NRSA63J-224X	MG RESISTOR	220kΩ 1/16W J		CF4	QAX0778-001	CERA LOCK		
R6316	QRE141J-391Y	C RESISTOR	390Ω 1/4W J		CN1	QGF1205C1-09	CONNECTOR	FFC/FPC (1-9)	
R6317	NRSA63J-473X	MG RESISTOR	47kΩ 1/16W J		CN601	QGF1205F1-13	CONNECTOR	FFC/FPC (1-13)	
R6318	QRE141J-2R2Y	C RESISTOR	2.2Ω 1/4W J		CN602	QGF1205F1-13	CONNECTOR	FFC/FPC (1-13)	
R6319	QRE141J-2R2Y	C RESISTOR	2.2Ω 1/4W J		CN603	QGB1214K1-10S	CONNECTOR	B-B (1-10)	
R6320	QRE141J-2R2Y	C RESISTOR	2.2Ω 1/4W J		CN604	QGB1214J1-10S	CONNECTOR	B-B (1-10)	
R6321	QRE141J-2R2Y	C RESISTOR	2.2Ω 1/4W J		FW601	WJK0002-001A-E	E-SI C WIRE C-B		
R6322	QRE141J-123Y	C RESISTOR	12kΩ 1/4W J		FW602	WJK0004-001A-E	E-SI C WIRE C-B		
R6325	NRSA63J-153X	MG RESISTOR	15kΩ 1/16W J		FW603	WJK0003-001A-E	001A C WIRE C-B		
R7301	QRE141J-473Y	C RESISTOR	47kΩ 1/4W J		TP1	QNZ0104-001	POST PIN		
R7303	QRE141J-101Y	C RESISTOR	100Ω 1/4W J		TP2	QNZ0104-001	POST PIN		
R7305	QRE141J-224Y	C RESISTOR	220kΩ 1/4W J		X1	QAX0402-001	CRYSTAL	75.0kHz	
R7307	NRSA63J-394X	MG RESISTOR	390kΩ 1/16W J						
R7308	NRSA63J-104X	MG RESISTOR	100kΩ 1/16W J						
R7309	QRE141J-333Y	C RESISTOR	33kΩ 1/4W J						
R7310	QRE141J-101Y	C RESISTOR	100Ω 1/4W J						
R7311	QRE141J-184Y	C RESISTOR	180kΩ 1/4W J						
R7312	QRE141J-104Y	C RESISTOR	100kΩ 1/4W J						
R7313	QRE141J-104Y	C RESISTOR	100kΩ 1/4W J						
R7314	QRE141J-273Y	C RESISTOR	27kΩ 1/4W J						
R7316	QRE141J-104Y	C RESISTOR	100kΩ 1/4W J						
R7317	QRE141J-104Y	C RESISTOR	100kΩ 1/4W J						
R7318	QRE141J-101Y	C RESISTOR	100Ω 1/4W J						
R7319	NRSA63J-202X	MG RESISTOR	2kΩ 1/16W J						
R7320	QRE141J-221Y	C RESISTOR	220Ω 1/4W J						
R7321	QRE141J-224Y	C RESISTOR	220kΩ 1/4W J						
R7322	QRE141J-563Y	C RESISTOR	56kΩ 1/4W J						
R7323	NRSA63J-102X	MG RESISTOR	1kΩ 1/16W J						
R7324	NRSA63J-103X	MG RESISTOR	10kΩ 1/16W J						
R7325	QRE141J-103Y	C RESISTOR	10kΩ 1/4W J						
R7326	QRE141J-153Y	C RESISTOR	15kΩ 1/4W J						
R7327	NRSA63J-105X	MG RESISTOR	1MΩ 1/16W J						
R7328	QRE141J-332Y	C RESISTOR	3.3kΩ 1/4W J						
R7329	QRE141J-102Y	C RESISTOR	1kΩ 1/4W J						
R7330	QRE141J-392Y	C RESISTOR	3.9kΩ 1/4W J						
R7331	QRE141J-222Y	C RESISTOR	2.2kΩ 1/4W J						
R7332	QRE141J-101Y	C RESISTOR	100Ω 1/4W J						
R7333	QRE141J-273Y	C RESISTOR	27kΩ 1/4W J						
R7334	QRE141J-243Y	C RESISTOR	24kΩ 1/4W J						
R7336	QRE141J-243Y	C RESISTOR	24kΩ 1/4W J						
R7338	QRE141J-823Y	C RESISTOR	82kΩ 1/4W J						
R7339	QRE141J-222Y	C RESISTOR	2.2kΩ 1/4W J						
R7341	QRE141J-473Y	C RESISTOR	47kΩ 1/4W J						
R7342	NRSA63J-333X	MG RESISTOR	33kΩ 1/16W J						
R7343	NRSA63J-103X	MG RESISTOR	10kΩ 1/16W J						
R7344	QRE141J-104Y	C RESISTOR	100kΩ 1/4W J						
R8101	QRE141J-332Y	C RESISTOR	3.3kΩ 1/4W J						
R8102	QRE141J-272Y	C RESISTOR	2.7kΩ 1/4W J						
R8103	QRE141J-392Y	C RESISTOR	3.9kΩ 1/4W J						
R8104	QRE141J-104Y	C RESISTOR	100kΩ 1/4W J						
R8105	QRE141J-332Y	C RESISTOR	3.3kΩ 1/4W J						
R8107	QRE141J-103Y	C RESISTOR	10kΩ 1/4W J						

Micon board

Block No. [0][2]

△ Symbol No.	Part No.	Part Name	Description	Local
IC401	NJM4565M-WE	IC		
IC501	BH3852S	IC		
IC551	PQ033ES3MX-T	IC		
IC603	NJM4565M-WE	IC		
IC751	NJM4565M-WE	IC		
IC752	NJM4565M-WE	IC		
IC831	NJM4565M-WE	IC		
IC901	MN101C49GNH	IC(MCU)MASK		
IC902	PST9131N-X	IC		
IC903	GP1UM281XKVF	IR DETECT UNIT		
IC904	BR24L02F-W-X	IC		
Q2501	KRA108S-X	TRANSISTOR		
Q2502	2SD601A/R/-X	TRANSISTOR		
Q2503	2SD601A/R/-X	TRANSISTOR		
Q2504	KRC114S-X	TRANSISTOR		
Q2505	KRA110S-X	TRANSISTOR		
△ Q3361	2SB709A/QR/-X	TRANSISTOR		
Q3362	2SD601A/R/-X	TRANSISTOR		
Q3571	2SB624/4/-X	TRANSISTOR		
Q3572	2SD601A/R/-X	TRANSISTOR		
Q3671	2SB624/4/-X	TRANSISTOR		
Q3672	KRC114S-X	TRANSISTOR		
Q3791	2SD601A/R/-X	TRANSISTOR		
Q4101	2SD596/4/-X	TRANSISTOR		
Q4101	or 2SD2114K/VW/-X	TRANSISTOR		
Q4102	2SD596/4/-X	TRANSISTOR		
Q4102	or 2SD2114K/VW/-X	TRANSISTOR		

△ Symbol No.	Part No.	Part Name	Description	Local	△ Symbol No.	Part No.	Part Name	Description	Local
Q4201	2SD596/4/-X	TRANSISTOR			C2524	NCB31HK-103X	C CAPACITOR	0.01uF 50V K	
Q4201	or 2SD2114K/VW/-X	TRANSISTOR			C3361	QEK1AM-107Z	E CAPACITOR	100uF 10V M	
Q4202	2SD596/4/-X	TRANSISTOR			C3362	QEK1EM-475Z	E CAPACITOR	4.7uF 25V M	
Q4202	or 2SD2114K/VW/-X	TRANSISTOR			C3571	QEK1CM-476Z	E CAPACITOR	47uF 16V M	
Q4301	2SD601A/R/-X	TRANSISTOR			C3791	NCB31HK-103X	C CAPACITOR	0.01uF 50V K	
Q5101	2SK301/R/-T	JUNCTION FET			C4142	NDC31HJ-150X	C CAPACITOR	15pF 50V J	
Q5201	2SK301/R/-T	JUNCTION FET			C4143	QEK1EM-475Z	E CAPACITOR	4.7uF 25V M	
Q6150	2SD596/4/-X	TRANSISTOR			C4144	QEK1EM-475Z	E CAPACITOR	4.7uF 25V M	
Q6150	or 2SD2114K/VW/-X	TRANSISTOR			C4145	QTE1V06-106Z	E CAPACITOR	10uF 35V	
Q6151	2SD596/4/-X	TRANSISTOR			C4151	NCS31HJ-681X	C CAPACITOR	680pF 50V J	
Q6250	2SD596/4/-X	TRANSISTOR			C4152	NCS31HJ-151X	C CAPACITOR	150pF 50V J	
Q6250	or 2SD2114K/VW/-X	TRANSISTOR			C4242	NDC31HJ-150X	C CAPACITOR	15pF 50V J	
Q6251	2SD596/4/-X	TRANSISTOR			C4243	QEK1EM-475Z	E CAPACITOR	4.7uF 25V M	
Q6350	UN2211-X	TRANSISTOR			C4244	QEK1EM-475Z	E CAPACITOR	4.7uF 25V M	
Q6351	UN2111-X	TRANSISTOR			C4245	QTE1V06-106Z	E CAPACITOR	10uF 35V	
Q6401	UN2211-X	TRANSISTOR			C4251	NCS31HJ-681X	C CAPACITOR	680pF 50V J	
Q7351	2SD601A/R/-X	TRANSISTOR			C4252	NCS31HJ-151X	C CAPACITOR	150pF 50V J	
Q7352	2SD601A/R/-X	TRANSISTOR			C4341	QEK1CM-476Z	E CAPACITOR	47uF 16V M	
Q7353	UN2112-X	DIGI TRANSISTOR			C4342	QEK1CM-107Z	E CAPACITOR	100uF 16V M	
Q7354	2SD601A/R/-X	TRANSISTOR			C4343	NCS31HJ-151X	C CAPACITOR	150pF 50V J	
Q7355	UN2112-X	DIGI TRANSISTOR			C4344	QEK1HM-226Z	E CAPACITOR	22uF 50V M	
Q7356	2SD601A/R/-X	TRANSISTOR			C4351	NCB31HK-103X	C CAPACITOR	0.01uF 50V K	
Q7357	2SD601A/R/-X	TRANSISTOR			C5101	QFLC1HJ-152Z	M CAPACITOR	1500pF 50V J	
Q7358	2SD601A/R/-X	TRANSISTOR			C5102	QER61EM-475Z	E CAPACITOR	4.7uF 25V M	
Q7359	2SB709A/QR/-X	TRANSISTOR			C5103	QER61EM-106Z	E CAPACITOR	10uF 25V M	
Q7360	DTC115EKA-X	DIGI TRANSISTOR			C5104	QFLC1HJ-563Z	M CAPACITOR	0.056uF 50V J	
Q8351	2SB709A/QR/-X	TRANSISTOR			C5105	QFLC1HJ-563Z	M CAPACITOR	0.056uF 50V J	
Q8352	2SB709A/QR/-X	TRANSISTOR			C5106	QFLC1HJ-562Z	M CAPACITOR	5600pF 50V J	
Q8353	2SD601A/R/-X	TRANSISTOR			C5107	NCS31HJ-221X	C CAPACITOR	220pF 50V J	
Q8354	UN2211-X	TRANSISTOR			C5201	QFLC1HJ-152Z	M CAPACITOR	1500pF 50V J	
Q9001	KTC3195/O/-T	TRANSISTOR			C5202	QER61EM-475Z	E CAPACITOR	4.7uF 25V M	
Q9002	KTC3195/O/-T	TRANSISTOR			C5203	QER61EM-106Z	E CAPACITOR	10uF 25V M	
Q9003	2SB709A/R/-X	TRANSISTOR			C5204	QFLC1HJ-563Z	M CAPACITOR	0.056uF 50V J	
Q9004	2SD601A/R/-X	TRANSISTOR			C5205	QFLC1HJ-563Z	M CAPACITOR	0.056uF 50V J	
Q9005	2SD601A/R/-X	TRANSISTOR			C5206	QFLC1HJ-562Z	M CAPACITOR	5600pF 50V J	
Q9006	2SD601A/R/-X	TRANSISTOR			C5207	NCS31HJ-221X	C CAPACITOR	220pF 50V J	
D2502	SLR-342VR-T15	LED			C5301	QEK1HM-106Z	E CAPACITOR	10uF 50V M	
D2503	SLR-342VR-T15	LED			C5302	QER61HM-105Z	E CAPACITOR	1uF 50V M	
D2504	SLR-342MG-T15	LED			C5303	QER61HM-225Z	E CAPACITOR	2.2uF 50V M	
D3361	1SS133-T2	SI DIODE			C5304	QER61HM-105Z	E CAPACITOR	1uF 50V M	
D3362	MTZJ3.9B-T2	Z DIODE			C5305	QEK1CM-107Z	E CAPACITOR	100uF 16V M	
D3363	1SS133-T2	SI DIODE			C5306	QEK1EM-475Z	E CAPACITOR	4.7uF 25V M	
D3571	SELU1E54CM-P	LED			C5307	QFLC1HJ-473Z	M CAPACITOR	0.047uF 50V J	
D3572	SELU1E54CM-P	LED			C5309	QEK1HM-474Z	E CAPACITOR	0.47uF 50V M	
D3791	MTZJ6.2A-T2	Z DIODE			C5501	QER61AM-107Z	E CAPACITOR	100uF 10V M	
D4301	1SS133-T2	SI DIODE			C5502	QEK1EM-476Z	E CAPACITOR	47uF 25V M	
D4302	1SS133-T2	SI DIODE			C5503	NCB31HK-103X	C CAPACITOR	0.01uF 50V K	
D5501	1SS133-T2	SI DIODE			C6150	QER61HM-105Z	E CAPACITOR	1uF 50V M	
D6303	1SS133-T2	SI DIODE			C6151	NCS31HJ-151X	C CAPACITOR	150pF 50V J	
D6501	MTZJ4.7A-T2	Z DIODE			C6152	NCS31HJ-101X	C CAPACITOR	100pF 50V J	
D6502	MTZJ3.6A-T2	ZENER DIODE			C6153	QER61AM-107Z	E CAPACITOR	100uF 10V M	
D6503	1SS133-T2	SI DIODE			C6155	NCB31HK-562X	C CAPACITOR	5600pF 50V K	
D7351	1SS133-T2	SI DIODE			C6156	NCB31HK-223X	C CAPACITOR	0.022uF 50V K	
D7352	1SS133-T2	SI DIODE			C6157	NCS31HJ-271X	C CAPACITOR	270pF 50V J	
D7353	1SS133-T2	SI DIODE			C6250	QER61HM-105Z	E CAPACITOR	1uF 50V M	
D7354	1SS133-T2	SI DIODE			C6251	NCS31HJ-151X	C CAPACITOR	150pF 50V J	
D7355	1SS133-T2	SI DIODE			C6252	NCS31HJ-101X	C CAPACITOR	100pF 50V J	
D7357	1SS133-T2	SI DIODE			C6253	QER61AM-107Z	E CAPACITOR	100uF 10V M	
D7358	1SS133-T2	SI DIODE			C6255	NCB31HK-562X	C CAPACITOR	5600pF 50V K	
D7359	1SS133-T2	SI DIODE			C6256	NCB31HK-223X	C CAPACITOR	0.022uF 50V K	
D7360	1SS133-T2	SI DIODE			C6257	NCS31HJ-271X	C CAPACITOR	270pF 50V J	
D8351	1SS133-T2	SI DIODE			C6350	QEK1CM-107Z	E CAPACITOR	100uF 16V M	
D8352	1SS133-T2	SI DIODE			C6351	QEK1CM-476Z	E CAPACITOR	47uF 16V M	
D8353	1SS133-T2	SI DIODE			C6352	QEK1CM-226Z	E CAPACITOR	22uF 16V M	
D8354	1SS133-T2	SI DIODE			C7351	QETN1HM-104Z	E CAPACITOR	0.1uF 50V M	
D9007	1N4003S-T5	SI DIODE			C7352	NDC31HJ-331X	C CAPACITOR	330pF 50V J	
D9011	MTZJ5.1C-T2	Z DIODE			C7353	QETN1HM-334Z	E CAPACITOR	0.33uF 50V M	
D9012	MA700A-T2	SB DIODE			C7354	QETN1HM-105Z	E CAPACITOR	1uF 50V M	
D9013	1SS133-T2	SI DIODE			C7355	QETN1HM-105Z	E CAPACITOR	1uF 50V M	
D9126	1SS133-T2	SI DIODE			C7356	QETN1EM-476Z	E CAPACITOR	47uF 25V M	
C2501	QER61HM-105Z	E CAPACITOR	1uF 50V M		C7357	NDC31HJ-680X	C CAPACITOR	68pF 50V J	
C2502	QER61CM-476Z	E CAPACITOR	47uF 16V M		C7358	QETN1CM-106Z	E CAPACITOR	10uF 16V M	
C2503	NCB31EK-333X	C CAPACITOR	0.033uF 25V K		C7359	QFLC1HJ-683Z	M CAPACITOR	0.068uF 50V J	
C2521	NCB31HK-103X	C CAPACITOR	0.01uF 50V K		C7360	QETN1EM-476Z	E CAPACITOR	47uF 25V M	
C2522	NCB31HK-103X	C CAPACITOR	0.01uF 50V K		C7361	NDC31HJ-221X	C CAPACITOR	220pF 50V J	
C2523	NCB31HK-103X	C CAPACITOR	0.01uF 50V K		C7362	QETN1HM-335Z	E CAPACITOR	3.3uF 50V M	
					C7363	QETN1HM-335Z	E CAPACITOR	3.3uF 50V M	
					C7365	QETN1HM-105Z	E CAPACITOR	1uF 50V M	

△ Symbol No.	Part No.	Part Name	Description	Local	△ Symbol No.	Part No.	Part Name	Description	Local
C7366	QETN1EM-476Z	E CAPACITOR	47uF 25V M		R2520	NRSA63J-472X	MG RESISTOR	4.7kΩ 1/16W J	
C7367	QETN1HM-105Z	E CAPACITOR	1uF 50V M		R2521	NRSA63J-222X	MG RESISTOR	2.2kΩ 1/16W J	
C7368	QETN1HM-105Z	E CAPACITOR	1uF 50V M		R3361	QRE141J-390Y	C RESISTOR	39Ω 1/4W J	
C7369	NCS31HJ-331X	C CAPACITOR	330pF 50V J		R3362	NRSA63J-102X	MG RESISTOR	1kΩ 1/16W J	
C7370	QETN1HM-104Z	E CAPACITOR	0.1uF 50V M		R3363	NRSA63J-472X	MG RESISTOR	4.7kΩ 1/16W J	
C7381	NCS31HJ-221X	C CAPACITOR	220pF 50V J		R3571	NRSA63J-472X	MG RESISTOR	4.7kΩ 1/16W J	
C7382	NCB31HK-102X	C CAPACITOR	1000pF 50V K		R3572	NRSA63J-472X	MG RESISTOR	4.7kΩ 1/16W J	
C8351	NDC31HJ-680X	C CAPACITOR	68pF 50V J		R3573	NRSA63J-472X	MG RESISTOR	4.7kΩ 1/16W J	
C8352	NDC31HJ-221X	C CAPACITOR	220pF 50V J		R3574	NRSA63J-472X	MG RESISTOR	4.7kΩ 1/16W J	
C8353	NDC31HJ-221X	C CAPACITOR	220pF 50V J		R3575	NRSA63J-472X	MG RESISTOR	4.7kΩ 1/16W J	
C8354	NDC31HJ-330X	C CAPACITOR	33pF 50V J		R3576	QRE141J-331Y	C RESISTOR	330Ω 1/4W J	
C8355	QFVF1HJ-124Z	MF CAPACITOR	0.12uF 50V J		R3577	QRE141J-331Y	C RESISTOR	330Ω 1/4W J	
C8356	QEKC1AM-107Z	E CAPACITOR	100uF 10V M		R3671	NRSA63J-472X	MG RESISTOR	4.7kΩ 1/16W J	
C8357	NCS31HJ-101X	C CAPACITOR	100pF 50V J		R3672	NRSA63J-102X	MG RESISTOR	1kΩ 1/16W J	
C8358	QEKC1HM-226Z	E CAPACITOR	22uF 50V M		R3791	NRSA63J-333X	MG RESISTOR	33kΩ 1/16W J	
C8359	QEKC1HM-106Z	E CAPACITOR	10uF 50V M		R3792	NRSA63J-104X	MG RESISTOR	100kΩ 1/16W J	
C8360	NCB31HK-272X	C CAPACITOR	2700pF 50V K		R3793	NRSA63J-103X	MG RESISTOR	10kΩ 1/16W J	
C8361	QFVF1HJ-104Z	MF CAPACITOR	0.1uF 50V J		R3794	NRSA63J-224X	MG RESISTOR	220kΩ 1/16W J	
C8362	NCB21HK-473X	C CAPACITOR	0.047uF 50V K		R4141	NRSA63J-124X	MG RESISTOR	120kΩ 1/16W J	
C8363	NCS31HJ-101X	C CAPACITOR	100pF 50V J		R4142	NRSA63J-303X	MG RESISTOR	30kΩ 1/16W J	
C9001	QER61AM-107Z	E CAPACITOR	100uF 10V M		R4143	NRSA63J-224X	MG RESISTOR	220kΩ 1/16W J	
C9002	NCB31HK-103X	C CAPACITOR	0.01uF 50V K		R4144	NRSA63J-473X	MG RESISTOR	47kΩ 1/16W J	
C9003	NCB31HK-102X	C CAPACITOR	1000pF 50V K		R4145	NRSA63J-124X	MG RESISTOR	120kΩ 1/16W J	
C9004	NCB31HK-102X	C CAPACITOR	1000pF 50V K		R4149	NRSA63J-222X	MG RESISTOR	2.2kΩ 1/16W J	
C9005	NCS31HJ-390X	C CAPACITOR	39pF 50V J		R4150	NRSA63J-102X	MG RESISTOR	1kΩ 1/16W J	
C9006	NCS31HJ-390X	C CAPACITOR	39pF 50V J		R4151	NRSA63J-104X	MG RESISTOR	100kΩ 1/16W J	
C9007	NDC31HJ-330X	C CAPACITOR	33pF 50V J		R4153	NRSA63J-473X	MG RESISTOR	47kΩ 1/16W J	
C9008	NDC31HJ-330X	C CAPACITOR	33pF 50V J		R4155	NRSA63J-183X	MG RESISTOR	18kΩ 1/16W J	
C9009	NDC31HJ-220X	C CAPACITOR	22pF 50V J		R4158	NRSA63J-332X	MG RESISTOR	3.3kΩ 1/16W J	
C9010	NDC31HJ-220X	C CAPACITOR	22pF 50V J		R4159	NRSA63J-102X	MG RESISTOR	1kΩ 1/16W J	
C9011	NCB31HK-103X	C CAPACITOR	0.01uF 50V K		R4160	NRSA63J-821X	MG RESISTOR	820Ω 1/16W J	
C9012	QER61HM-226Z	E CAPACITOR	22uF 50V M		R4161	NRSA63J-333X	MG RESISTOR	33kΩ 1/16W J	
C9104	NCB31HK-102X	C CAPACITOR	1000pF 50V K		R4241	NRSA63J-124X	MG RESISTOR	120kΩ 1/16W J	
C9110	NCB31HK-103X	C CAPACITOR	0.01uF 50V K		R4242	NRSA63J-303X	MG RESISTOR	30kΩ 1/16W J	
C9126	NCS31HJ-151X	C CAPACITOR	150pF 50V J		R4243	NRSA63J-224X	MG RESISTOR	220kΩ 1/16W J	
C9133	NCB31HK-103X	C CAPACITOR	0.01uF 50V K		R4244	NRSA63J-473X	MG RESISTOR	47kΩ 1/16W J	
C9134	NCS31HJ-151X	C CAPACITOR	150pF 50V J		R4245	NRSA63J-124X	MG RESISTOR	120kΩ 1/16W J	
C9136	QER61HM-106Z	E CAPACITOR	10uF 50V M		R4249	NRSA63J-222X	MG RESISTOR	2.2kΩ 1/16W J	
C9137	QER61HM-106Z	E CAPACITOR	10uF 50V M		R4250	NRSA63J-102X	MG RESISTOR	1kΩ 1/16W J	
C9138	QER61HM-106Z	E CAPACITOR	10uF 50V M		R4251	NRSA63J-104X	MG RESISTOR	100kΩ 1/16W J	
C9142	NCS31HJ-151X	C CAPACITOR	150pF 50V J		R4253	NRSA63J-473X	MG RESISTOR	47kΩ 1/16W J	
C9145	NCS31HJ-101X	C CAPACITOR	100pF 50V J		R4255	NRSA63J-183X	MG RESISTOR	18kΩ 1/16W J	
C9146	NCS31HJ-101X	C CAPACITOR	100pF 50V J		R4258	NRSA63J-332X	MG RESISTOR	3.3kΩ 1/16W J	
C9147	NCS31HJ-101X	C CAPACITOR	100pF 50V J		R4259	NRSA63J-102X	MG RESISTOR	1kΩ 1/16W J	
C9148	NCS31HJ-470X	C CAPACITOR	47pF 50V J		R4260	NRSA63J-821X	MG RESISTOR	820Ω 1/16W J	
C9149	NCS31HJ-470X	C CAPACITOR	47pF 50V J		R4261	NRSA63J-333X	MG RESISTOR	33kΩ 1/16W J	
C9150	NCB21CK-105X	C CAPACITOR	1uF 16V K		R4301	NRSA63J-222X	MG RESISTOR	2.2kΩ 1/16W J	
C9151	NCB21CK-105X	C CAPACITOR	1uF 16V K		R4341	NRSA63J-103X	MG RESISTOR	10kΩ 1/16W J	
C9178	NCB31CK-104X	C CAPACITOR	0.1uF 16V K		R4342	NRSA63J-103X	MG RESISTOR	10kΩ 1/16W J	
C9180	NCS31HJ-151X	C CAPACITOR	150pF 50V J		R4343	QRE141J-101Y	C RESISTOR	100Ω 1/4W J	
C9181	NCS31HJ-151X	C CAPACITOR	150pF 50V J		R4351	NRSA63J-101X	MG RESISTOR	100Ω 1/16W J	
C9182	NDC31HJ-680X	C CAPACITOR	68pF 50V J		R4352	NRSA63J-101X	MG RESISTOR	100Ω 1/16W J	
C9187	NCS31HJ-151X	C CAPACITOR	150pF 50V J		R4353	NRSA63J-101X	MG RESISTOR	100Ω 1/16W J	
C9188	NDC31HJ-680X	C CAPACITOR	68pF 50V J		R5101	NRSA63J-223X	MG RESISTOR	22kΩ 1/16W J	
C9189	NCS31HJ-151X	C CAPACITOR	150pF 50V J		R5102	NRSA63J-153X	MG RESISTOR	15kΩ 1/16W J	
C9190	NCB31HK-103X	C CAPACITOR	0.01uF 50V K		R5104	NRSA63J-224X	MG RESISTOR	220kΩ 1/16W J	
C9196	NCS31HJ-151X	C CAPACITOR	150pF 50V J		R5201	NRSA63J-223X	MG RESISTOR	22kΩ 1/16W J	
C9197	NCS31HJ-151X	C CAPACITOR	150pF 50V J		R5202	NRSA63J-153X	MG RESISTOR	15kΩ 1/16W J	
C9198	NCS31HJ-151X	C CAPACITOR	150pF 50V J		R5204	NRSA63J-224X	MG RESISTOR	220kΩ 1/16W J	
C9247	NCS31HJ-151X	C CAPACITOR	150pF 50V J		R5301	NRSA63J-104X	MG RESISTOR	100kΩ 1/16W J	
					R5302	NRSA63J-333X	MG RESISTOR	33kΩ 1/16W J	
R2501	NRS181J-271X	MG RESISTOR	270Ω 1/8W J		R5303	NRSA63J-104X	MG RESISTOR	100kΩ 1/16W J	
R2504	NRSA63J-101X	MG RESISTOR	100Ω 1/16W J		R5304	NRSA63J-104X	MG RESISTOR	100kΩ 1/16W J	
R2505	NRSA63J-101X	MG RESISTOR	100Ω 1/16W J		R5305	QRE141J-101Y	C RESISTOR	100Ω 1/4W J	
R2506	NRSA63J-121X	MG RESISTOR	120Ω 1/16W J		R5306	NRSA63J-475X	MG RESISTOR	4.7MΩ 1/16W J	
R2507	NRSA63J-151X	MG RESISTOR	150Ω 1/16W J		R5307	NRSA63J-475X	MG RESISTOR	4.7MΩ 1/16W J	
R2508	NRSA63J-221X	MG RESISTOR	220Ω 1/16W J		R5308	NRSA63J-154X	MG RESISTOR	150kΩ 1/16W J	
R2509	NRSA63J-271X	MG RESISTOR	270Ω 1/16W J		R5501	NRSA63J-153X	MG RESISTOR	15kΩ 1/16W J	
R2510	NRSA63J-391X	MG RESISTOR	390Ω 1/16W J		R5502	NRSA63J-473X	MG RESISTOR	47kΩ 1/16W J	
R2511	NRSA63J-561X	MG RESISTOR	560Ω 1/16W J		R6150	NRSA63J-223X	MG RESISTOR	22kΩ 1/16W J	
R2512	NRSA63J-102X	MG RESISTOR	1kΩ 1/16W J		R6151	NRSA63J-223X	MG RESISTOR	22kΩ 1/16W J	
R2513	NRSA63J-182X	MG RESISTOR	1.8kΩ 1/16W J		R6152	NRSA63J-102X	MG RESISTOR	1kΩ 1/16W J	
R2514	NRS181J-391X	MG RESISTOR	390Ω 1/8W J		R6153	NRSA63J-220X	MG RESISTOR	22Ω 1/16W J	
R2515	NRS181J-471X	MG RESISTOR	470Ω 1/8W J		R6154	NRSA63J-222X	MG RESISTOR	2.2kΩ 1/16W J	
R2516	NRSA63J-473X	MG RESISTOR	47kΩ 1/16W J		R6155	NRSA63J-222X	MG RESISTOR	2.2kΩ 1/16W J	
R2517	NRSA63J-102X	MG RESISTOR	1kΩ 1/16W J		R6157	NRSA63J-103X	MG RESISTOR	10kΩ 1/16W J	
R2518	NRSA63J-104X	MG RESISTOR	100kΩ 1/16W J		R6158	NRSA63J-153X	MG RESISTOR	15kΩ 1/16W J	
R2519	NRSA63J-472X	MG RESISTOR	4.7kΩ 1/16W J		R6160	NRSA63J-472X	MG RESISTOR	4.7kΩ 1/16W J	

△ Symbol No.	Part No.	Part Name	Description	Local	△ Symbol No.	Part No.	Part Name	Description	Local
R6161	NRSA63J-472X	MG RESISTOR	4.7kΩ 1/16W J		R9004	NRSA63J-822X	MG RESISTOR	8.2kΩ 1/16W J	
R6250	NRSA63J-223X	MG RESISTOR	22kΩ 1/16W J		R9011	NRSA63J-473X	MG RESISTOR	47kΩ 1/16W J	
R6251	NRSA63J-223X	MG RESISTOR	22kΩ 1/16W J		R9012	NRSA63J-333X	MG RESISTOR	33kΩ 1/16W J	
R6252	NRSA63J-102X	MG RESISTOR	1kΩ 1/16W J		R9013	NRSA63J-104X	MG RESISTOR	100kΩ 1/16W J	
R6253	NRSA63J-220X	MG RESISTOR	22Ω 1/16W J		R9014	NRSA63J-222X	MG RESISTOR	2.2kΩ 1/16W J	
R6254	NRSA63J-222X	MG RESISTOR	2.2kΩ 1/16W J		R9015	NRSA63J-103X	MG RESISTOR	10kΩ 1/16W J	
R6255	NRSA63J-222X	MG RESISTOR	2.2kΩ 1/16W J		R9016	NRSA63J-103X	MG RESISTOR	10kΩ 1/16W J	
R6257	NRSA63J-103X	MG RESISTOR	10kΩ 1/16W J		R9017	NRSA63J-103X	MG RESISTOR	10kΩ 1/16W J	
R6258	NRSA63J-153X	MG RESISTOR	15kΩ 1/16W J		R9018	NRSA63J-473X	MG RESISTOR	47kΩ 1/16W J	
R6260	NRSA63J-472X	MG RESISTOR	4.7kΩ 1/16W J		R9102	NRSA63J-103X	MG RESISTOR	10kΩ 1/16W J	
R6261	NRSA63J-472X	MG RESISTOR	4.7kΩ 1/16W J		R9103	NRSA63J-222X	MG RESISTOR	2.2kΩ 1/16W J	
R6335	QRE141J-121Y	C RESISTOR	120Ω 1/4W J		R9104	NRSA63J-222X	MG RESISTOR	2.2kΩ 1/16W J	
R6350	QRE141J-121Y	C RESISTOR	120Ω 1/4W J		R9105	NRSA63J-222X	MG RESISTOR	2.2kΩ 1/16W J	
R6351	NRSA63J-102X	MG RESISTOR	1kΩ 1/16W J		R9107	NRSA63J-222X	MG RESISTOR	2.2kΩ 1/16W J	
R6353	NRSA63J-473X	MG RESISTOR	47kΩ 1/16W J		R9108	NRSA63J-222X	MG RESISTOR	2.2kΩ 1/16W J	
R6354	NRSA63J-472X	MG RESISTOR	4.7kΩ 1/16W J		R9115	NRSA63J-104X	MG RESISTOR	100kΩ 1/16W J	
R6401	NRSA63J-153X	MG RESISTOR	15kΩ 1/16W J		R9116	NRSA63J-224X	MG RESISTOR	220kΩ 1/16W J	
R7351	NRSA63J-184X	MG RESISTOR	180kΩ 1/16W J		R9118	NRSA63J-222X	MG RESISTOR	2.2kΩ 1/16W J	
R7352	NRSA63J-823X	MG RESISTOR	82kΩ 1/16W J		R9119	NRSA63J-222X	MG RESISTOR	2.2kΩ 1/16W J	
R7353	NRSA63J-393X	MG RESISTOR	39kΩ 1/16W J		R9120	NRSA63J-103X	MG RESISTOR	10kΩ 1/16W J	
R7354	NRSA63J-153X	MG RESISTOR	15kΩ 1/16W J		R9124	NRSA63J-222X	MG RESISTOR	2.2kΩ 1/16W J	
R7355	NRSA63J-563X	MG RESISTOR	56kΩ 1/16W J		R9125	NRSA63J-103X	MG RESISTOR	10kΩ 1/16W J	
R7356	NRSA63J-472X	MG RESISTOR	4.7kΩ 1/16W J		R9126	NRSA63J-102X	MG RESISTOR	1kΩ 1/16W J	
R7357	NRSA63J-103X	MG RESISTOR	10kΩ 1/16W J		R9129	NRSA63J-103X	MG RESISTOR	10kΩ 1/16W J	
R7358	NRSA63J-103X	MG RESISTOR	10kΩ 1/16W J		R9130	NRSA63J-103X	MG RESISTOR	10kΩ 1/16W J	
R7359	NRSA63J-223X	MG RESISTOR	22kΩ 1/16W J		R9131	NRSA63J-103X	MG RESISTOR	10kΩ 1/16W J	
R7360	NRSA63J-273X	MG RESISTOR	27kΩ 1/16W J		R9133	NRSA63J-102X	MG RESISTOR	1kΩ 1/16W J	
R7361	QRE141J-101Y	C RESISTOR	100Ω 1/4W J		R9134	NRSA63J-102X	MG RESISTOR	1kΩ 1/16W J	
R7362	NRSA63J-224X	MG RESISTOR	220kΩ 1/16W J		R9135	NRSA63J-222X	MG RESISTOR	2.2kΩ 1/16W J	
R7365	NRSA63J-122X	MG RESISTOR	1.2kΩ 1/16W J		R9136	NRSA63J-682X	MG RESISTOR	6.8kΩ 1/16W J	
R7366	NRSA63J-182X	MG RESISTOR	1.8kΩ 1/16W J		R9137	NRSA63J-103X	MG RESISTOR	10kΩ 1/16W J	
R7367	NRSA63J-103X	MG RESISTOR	10kΩ 1/16W J		R9138	NRSA63J-103X	MG RESISTOR	10kΩ 1/16W J	
R7368	NRSA63J-101X	MG RESISTOR	100Ω 1/16W J		R9139	NRSA63J-103X	MG RESISTOR	10kΩ 1/16W J	
R7369	NRSA63J-683X	MG RESISTOR	68kΩ 1/16W J		R9140	NRSA63J-103X	MG RESISTOR	10kΩ 1/16W J	
R7370	NRSA63J-683X	MG RESISTOR	68kΩ 1/16W J		R9142	NRSA63J-103X	MG RESISTOR	10kΩ 1/16W J	
R7371	NRSA63J-103X	MG RESISTOR	10kΩ 1/16W J		R9145	NRSA63J-222X	MG RESISTOR	2.2kΩ 1/16W J	
R7372	NRSA63J-103X	MG RESISTOR	10kΩ 1/16W J		R9146	NRSA63J-222X	MG RESISTOR	2.2kΩ 1/16W J	
R7373	NRSA63J-104X	MG RESISTOR	100kΩ 1/16W J		R9147	NRSA63J-222X	MG RESISTOR	2.2kΩ 1/16W J	
R7374	NRSA63J-474X	MG RESISTOR	470kΩ 1/16W J		R9148	NRSA63J-222X	MG RESISTOR	2.2kΩ 1/16W J	
R7375	NRSA63J-222X	MG RESISTOR	2.2kΩ 1/16W J		R9149	NRSA63J-222X	MG RESISTOR	2.2kΩ 1/16W J	
R7376	NRSA63J-222X	MG RESISTOR	2.2kΩ 1/16W J		R9150	NRSA63J-182X	MG RESISTOR	1.8kΩ 1/16W J	
R7377	NRSA63J-222X	MG RESISTOR	2.2kΩ 1/16W J		R9172	NRSA63J-222X	MG RESISTOR	2.2kΩ 1/16W J	
R7378	NRSA63J-222X	MG RESISTOR	2.2kΩ 1/16W J		R9173	NRSA63J-222X	MG RESISTOR	2.2kΩ 1/16W J	
R7379	NRSA63J-563X	MG RESISTOR	56kΩ 1/16W J		R9174	NRSA63J-222X	MG RESISTOR	2.2kΩ 1/16W J	
R7380	NRSA63J-393X	MG RESISTOR	39kΩ 1/16W J		R9175	NRSA63J-222X	MG RESISTOR	2.2kΩ 1/16W J	
R7381	NRSA63J-103X	MG RESISTOR	10kΩ 1/16W J		R9176	NRSA63J-103X	MG RESISTOR	10kΩ 1/16W J	
R7382	NRSA63J-473X	MG RESISTOR	47kΩ 1/16W J		R9177	NRSA63J-221X	MG RESISTOR	220Ω 1/16W J	
R7383	QRE141J-101Y	C RESISTOR	100Ω 1/4W J		R9178	NRSA63J-221X	MG RESISTOR	220Ω 1/16W J	
R7384	NRSA63J-473X	MG RESISTOR	47kΩ 1/16W J		R9180	NRSA63J-103X	MG RESISTOR	10kΩ 1/16W J	
R7385	NRSA63J-473X	MG RESISTOR	47kΩ 1/16W J		R9181	NRSA63J-222X	MG RESISTOR	2.2kΩ 1/16W J	
R7386	NRSA63J-333X	MG RESISTOR	33kΩ 1/16W J		R9182	NRSA63J-682X	MG RESISTOR	6.8kΩ 1/16W J	
R7387	NRSA63J-102X	MG RESISTOR	1kΩ 1/16W J		R9184	NRSA63J-103X	MG RESISTOR	10kΩ 1/16W J	
R7388	NRSA63J-103X	MG RESISTOR	10kΩ 1/16W J		R9185	NRSA63J-102X	MG RESISTOR	1kΩ 1/16W J	
R8351	NRSA63J-683X	MG RESISTOR	68kΩ 1/16W J		R9186	NRSA63J-103X	MG RESISTOR	10kΩ 1/16W J	
R8352	NRSA63J-474X	MG RESISTOR	470kΩ 1/16W J		R9187	NRSA63J-222X	MG RESISTOR	2.2kΩ 1/16W J	
R8353	NRSA63J-124X	MG RESISTOR	120kΩ 1/16W J		R9188	NRSA63J-682X	MG RESISTOR	6.8kΩ 1/16W J	
R8354	NRSA63J-101X	MG RESISTOR	100Ω 1/16W J		R9189	NRSA63J-222X	MG RESISTOR	2.2kΩ 1/16W J	
R8355	NRSA63J-474X	MG RESISTOR	470kΩ 1/16W J		R9190	NRSA63J-222X	MG RESISTOR	2.2kΩ 1/16W J	
R8356	NRSA63J-124X	MG RESISTOR	120kΩ 1/16W J		R9191	NRSA63J-102X	MG RESISTOR	1kΩ 1/16W J	
R8357	NRSA63J-101X	MG RESISTOR	100Ω 1/16W J		R9192	NRSA63J-222X	MG RESISTOR	2.2kΩ 1/16W J	
R8358	NRSA63J-475X	MG RESISTOR	4.7MΩ 1/16W J		R9196	NRSA63J-472X	MG RESISTOR	4.7kΩ 1/16W J	
R8359	NRSA63J-102X	MG RESISTOR	1kΩ 1/16W J		R9197	NRSA63J-472X	MG RESISTOR	4.7kΩ 1/16W J	
R8360	NRSA63J-822X	MG RESISTOR	8.2kΩ 1/16W J		R9198	NRSA63J-472X	MG RESISTOR	4.7kΩ 1/16W J	
R8361	NRSA63J-473X	MG RESISTOR	47kΩ 1/16W J		R9199	NRSA63J-102X	MG RESISTOR	1kΩ 1/16W J	
R8362	NRSA63J-822X	MG RESISTOR	8.2kΩ 1/16W J		R9201	NRSA63F-473X	MG RESISTOR	47kΩ 1/16W F	
R8363	QRE141J-101Y	C RESISTOR	100Ω 1/4W J		R9202	NRSA63F-154X	MG RESISTOR	150kΩ 1/16W F	
R8364	NRSA63J-473X	MG RESISTOR	47kΩ 1/16W J		R9203	NRSA63J-333X	MG RESISTOR	33kΩ 1/16W J	
R8365	NRSA63J-101X	MG RESISTOR	100Ω 1/16W J		R9204	NRSA63J-912X	MG RESISTOR	9.1kΩ 1/16W J	
R8366	NRSA63J-224X	MG RESISTOR	220kΩ 1/16W J		R9207	NRSA63J-103X	MG RESISTOR	10kΩ 1/16W J	
R8367	NRSA63J-221X	MG RESISTOR	220Ω 1/16W J		R9208	NRSA63J-102X	MG RESISTOR	1kΩ 1/16W J	
R8368	NRSA63J-473X	MG RESISTOR	47kΩ 1/16W J		R9209	NRSA63J-103X	MG RESISTOR	10kΩ 1/16W J	
R8369	NRSA63J-473X	MG RESISTOR	47kΩ 1/16W J		R9218	NRSA63J-432X	MG RESISTOR	4.3kΩ 1/16W J	
R8370	NRSA02J-275X	MG RESISTOR	2.7MΩ 1/10W J		R9221	NRSA63J-104X	MG RESISTOR	100kΩ 1/16W J	
R8371	NRSA63J-103X	MG RESISTOR	10kΩ 1/16W J		R9222	NRSA63J-104X	MG RESISTOR	100kΩ 1/16W J	
R8372	NRSA63J-103X	MG RESISTOR	10kΩ 1/16W J		R9223	NRSA63J-104X	MG RESISTOR	100kΩ 1/16W J	
R9001	NRSA63J-222X	MG RESISTOR	2.2kΩ 1/16W J		R9224	NRSA63J-472X	MG RESISTOR	4.7kΩ 1/16W J	
R9002	NRSA63J-222X	MG RESISTOR	2.2kΩ 1/16W J		R9226	NRSA63J-473X	MG RESISTOR	47kΩ 1/16W J	
R9003	NRSA63J-822X	MG RESISTOR	8.2kΩ 1/16W J		R9230	NRSA63J-104X	MG RESISTOR	100kΩ 1/16W J	

△ Symbol No. Part No. Part Name Description Local

Power board

Block No. [0][3]

△ Symbol No. Part No. Part Name Description Local

R9237	NRSA63J-243X	MG RESISTOR	24kΩ 1/16W J	
R9238	NRSA63J-243X	MG RESISTOR	24kΩ 1/16W J	
R9239	NRSA63J-473X	MG RESISTOR	47kΩ 1/16W J	
R9240	NRSA63J-471X	MG RESISTOR	470Ω 1/16W J	
R9272	NRSA63J-473X	MG RESISTOR	47kΩ 1/16W J	
R9273	NRSA63J-473X	MG RESISTOR	47kΩ 1/16W J	
R9274	NRSA63J-473X	MG RESISTOR	47kΩ 1/16W J	
R9275	NRSA63J-473X	MG RESISTOR	47kΩ 1/16W J	
R9278	NRSA63J-104X	MG RESISTOR	100kΩ 1/16W J	
R9282	NRSA63J-104X	MG RESISTOR	100kΩ 1/16W J	
R9285	NRSA63J-563X	MG RESISTOR	56kΩ 1/16W J	
R9286	NRSA63J-104X	MG RESISTOR	100kΩ 1/16W J	
VR731	QVQ0287-B24	V RESISTOR		
VR901	QSW0626-001	R ENCODER		
VR902	QSW0626-001	R ENCODER		
L4351	QQR0621-001Z	FERRITE BEADS		
L4352	QQR0621-001Z	FERRITE BEADS		
L4353	QQL244K-100Z	COIL	10uH K	
L4354	NQR0007-002X	FERRITE BEADS		
L4355	NQR0007-002X	FERRITE BEADS		
L4356	NQR0007-002X	FERRITE BEADS		
L6351	NQR0007-002X	FERRITE BEADS		
L6352	NQR0007-002X	FERRITE BEADS		
L6353	NQR0007-002X	FERRITE BEADS		
L9001	QQL244K-100Z	COIL	10uH K	
L9002	QQL244K-100Z	COIL	10uH K	
CN251	QGB1216K1-10S	CONNECTOR	B-B (1-10)	
CN252	QGB1216K1-10S	CONNECTOR	B-B (1-10)	
CN403	QGF1205C1-09	CONNECTOR	FFC/FPC (1-9)	
CN404	QGF1036F1-17	CONNECTOR	FFC/FPC (1-17)	
CN405	QGF1205C1-10	CONNECTOR	FFC/FPC (1-10)	
CN406	QGF1205C1-09	CONNECTOR	FFC/FPC (1-9)	
CN407	QGF1210G1-13	CONNECTOR	FFC/FPC (1-13)	
CN408	QGF1210G1-13	CONNECTOR	FFC/FPC (1-13)	
CN751	QGA2001F1-04	CONNECTOR	W-B (1-4)	
CN901	QGB1216J1-10S	CONNECTOR	B-B (1-10)	
CN902	QGB1216J1-10S	CONNECTOR	B-B (1-10)	
CN904	QGA2501C3-03Z	CONNECTOR	W-B (1-3)	
DI901	QLD0332-002	LCD MODULE		
FW251	QUM213-14Z3Z3-E	PARA RIBON WIRE		
FW253	QUM213-14Z3Z3-E	PARA RIBON WIRE		
FW256	QJK002-020602-E	SIN CL C-B WIRE		
FW401	QUM212-08Z3Z3-E	PARA RIBON WIRE		
FW403	QJK003-040704-E	SIN CL C-B WIRE		
J4301	QNS0186-001	JACK		
J6301	QNS0072-001	HEADPHONE JACK		
J7351	QNS0148-001	6.3 JACK		
K5101	NQR0288-004X	FERRITE BEADS		
K5102	NQR0360-001X	FERRITE BEADS		
K5201	NQR0288-004X	FERRITE BEADS		
K5202	NQR0360-001X	FERRITE BEADS		
K7351	QQR0621-001Z	FERRITE BEADS		
K9001	QQR0621-001Z	FERRITE BEADS		
K9003	QQR0621-001Z	FERRITE BEADS		
K9005	NQR0007-002X	FERRITE BEADS		
S2501	QSW0622-001Z	TACT SW		
S2502	QSW0622-001Z	TACT SW		
S2503	QSW0622-001Z	TACT SW		
S2504	QSW0622-001Z	TACT SW		
S2505	QSW0622-001Z	TACT SW		
S2506	QSW0622-001Z	TACT SW		
S2507	QSW0622-001Z	TACT SW		
S2508	QSW0622-001Z	TACT SW		
S2509	QSW0622-001Z	TACT SW		
S2510	QSW0622-001Z	TACT SW		
S2512	QSW0622-001Z	TACT SW		
S2513	QSW0622-001Z	TACT SW		
S2521	QSW0122-001	PUSH SWITCH		
X9001	QAX0401-001	CRYSTAL	32.768KHz	
X9002	QAX0416-001Z	C RESONATOR	8.000MHZ	

△ D1901	D5SBA20-S1	SI DIODE		
D1902	6A10E2	SI DIODE		
△ C1901	QFLC1HJ-683Z	M CAPACITOR	0.068uF 50V J	
△ C1902	QFLC1HJ-683Z	M CAPACITOR	0.068uF 50V J	
△ C1903	QFLC1HJ-683Z	M CAPACITOR	0.068uF 50V J	
△ C1904	QFLC1HJ-683Z	M CAPACITOR	0.068uF 50V J	
R1901	QRJ146J-103X	UNF C RESISTOR	10kΩ 1/4W J	
CN191	QGA2501C1-09	CONNECTOR	W-B (1-9)	
CN192	QGB2501K1-04	CONNECTOR	B-B (1-4)	
CN193	QGA2501C1-05	CONNECTOR	W-B (1-5)	
CN194	QGA7901C1-02	CONNECTOR	W-B (1-2)	
CN195	QGA3901C1-02	CONNECTOR	W-B (1-2)	
△ J1901	QNC0042-001	AC SOCKET		
J1902	QNA0016-001	DC JACK		
△ LF191	QQR1321-001	LINE FILTER		
WC1	QZW0007-001	POST PIN		
△ Z1902	QNG0020-001Z	FUSE CLIP		
△ Z1904	QNG0020-001Z	FUSE CLIP		
△ Z1922	QNG0020-001Z	FUSE CLIP		
△ Z1944	QNG0020-001Z	FUSE CLIP		

CD servo board

Block No. [0][4]

△ Symbol No. Part No. Part Name Description Local

IC201	BR24L08FV-W-X	IC		
IC251	MN101C61GNJ	IC		
IC601	AN22002A-W	IC		
IC651	MN6627934CH	IC		
IC671	A42L2604V-45L	IC		
IC681	SN74AHC1G32DC-X	IC		
IC682	SN74LV08APW-X	IC		
IC801	AN4801SB-W	IC		
Q231	2SC2814/4-5/-X	TRANSISTOR		
Q232	2SC2814/4-5/-X	TRANSISTOR		
Q291	2SB1424/QR/-W	TRANSISTOR		
Q631	2SA1037AK/RS/-X	TRANSISTOR		
D251	RB521S-30-X	SB DIODE		
D252	RB521S-30-X	SB DIODE		
D601	1S3355-X	SI DIODE		
C201	NCB31CK-104X	C CAPACITOR	0.1uF 16V K	
C231	NDC31HJ-390X	C CAPACITOR	39pF 50V J	
C232	NDC31HJ-390X	C CAPACITOR	39pF 50V J	
C233	NCB31HK-102X	C CAPACITOR	1000pF 50V K	
C234	NCB31HK-102X	C CAPACITOR	1000pF 50V K	
C251	NCB31CK-104X	C CAPACITOR	0.1uF 16V K	
C252	QEKJ0JM-476Z	E CAPACITOR	47uF 6.3V M	
C253	NCB31CK-104X	C CAPACITOR	0.1uF 16V K	
C259	NDC31HJ-101X	C CAPACITOR	100pF 50V J	
C291	QERF0JM-226Z	E CAPACITOR	22uF 6.3V M	
C603	NCB31CK-104X	C CAPACITOR	0.1uF 16V K	
C604	NCB31CK-104X	C CAPACITOR	0.1uF 16V K	
C605	NDC31HJ-391X	C CAPACITOR	390pF 50V J	
C606	NDC31HJ-121X	C CAPACITOR	120pF 50V J	
C609	NDC31HJ-470X	C CAPACITOR	47pF 50V J	
C610	NCB31CK-563X	C CAPACITOR	0.056uF 16V K	
C611	NCB31CK-104X	C CAPACITOR	0.1uF 16V K	
C612	NCB31CK-104X	C CAPACITOR	0.1uF 16V K	
C614	NCB31CK-393X	C CAPACITOR	0.039uF 16V K	
C615	NCB31HK-272X	C CAPACITOR	2700pF 50V K	
C616	NCB31HK-182X	C CAPACITOR	1800pF 50V K	
C621	NCB31CK-104X	C CAPACITOR	0.1uF 16V K	
C622	QEKJ0JM-107Z	E CAPACITOR	100uF 6.3V M	

△ Symbol No.	Part No.	Part Name	Description	Local	△ Symbol No.	Part No.	Part Name	Description	Local
C623	NCB31CK-104X	C CAPACITOR	0.1uF 16V K		R613	NRSA63J-472X	MG RESISTOR	4.7kΩ 1/16W J	
C624	QEKJ0JM-107Z	E CAPACITOR	100uF 6.3V M		R617	NRSA63J-122X	MG RESISTOR	1.2kΩ 1/16W J	
C631	QEKJ1CM-106Z	E CAPACITOR	10uF 16V M		R621	NRSA63J-0R0X	MG RESISTOR	0Ω 1/16W J	
C632	NCB31CK-104X	C CAPACITOR	0.1uF 16V K		R625	NRSA63J-0R0X	MG RESISTOR	0Ω 1/16W J	
C633	NCB31HK-223X	C CAPACITOR	0.022uF 50V K		R631	NRSA63J-470X	MG RESISTOR	47Ω 1/16W J	
C641	NDC31HJ-101X	C CAPACITOR	100pF 50V J		R632	NRSA63J-3R9X	MG RESISTOR	3.9Ω 1/16W J	
C651	QEKJ0JM-107Z	E CAPACITOR	100uF 6.3V M		R634	NRSA63J-3R9X	MG RESISTOR	3.9Ω 1/16W J	
C652	NCB31CK-104X	C CAPACITOR	0.1uF 16V K		R635	NRSA63J-100X	MG RESISTOR	10Ω 1/16W J	
C653	NCB31CK-104X	C CAPACITOR	0.1uF 16V K		R651	NRSA63J-473X	MG RESISTOR	47kΩ 1/16W J	
C654	NCB31CK-104X	C CAPACITOR	0.1uF 16V K		R652	NRSA63J-0R0X	MG RESISTOR	0Ω 1/16W J	
C655	NCB31CK-104X	C CAPACITOR	0.1uF 16V K		R653	NRSA63J-223X	MG RESISTOR	22kΩ 1/16W J	
C656	NCB31CK-104X	C CAPACITOR	0.1uF 16V K		R654	NRSA63J-753X	MG RESISTOR	75kΩ 1/16W J	
C657	NCS31HJ-681X	C CAPACITOR	680pF 50V J		R655	NRSA63J-105X	MG RESISTOR	1MΩ 1/16W J	
C658	NCB31CK-104X	C CAPACITOR	0.1uF 16V K		R656	NRSA63J-104X	MG RESISTOR	100kΩ 1/16W J	
C659	NCB31HK-223X	C CAPACITOR	0.022uF 50V K		R657	NRSA63J-821X	MG RESISTOR	820Ω 1/16W J	
C661	NCB31HK-102X	C CAPACITOR	1000pF 50V K		R658	NRSA63J-241X	MG RESISTOR	240Ω 1/16W J	
C662	NCB31CK-823X	C CAPACITOR	0.082uF 16V K		R659	NRSA63J-153X	MG RESISTOR	15kΩ 1/16W J	
C663	NCB31CK-104X	C CAPACITOR	0.1uF 16V K		R661	NRSA63J-153X	MG RESISTOR	15kΩ 1/16W J	
C664	QERF0JM-476Z	E CAPACITOR	47uF 6.3V M		R662	NRSA02J-101X	MG RESISTOR	100Ω 1/10W J	
C665	NCB31CK-104X	C CAPACITOR	0.1uF 16V K		R664	NRSA63J-102X	MG RESISTOR	1kΩ 1/16W J	
C666	QEKJ0JM-107Z	E CAPACITOR	100uF 6.3V M		R665	NRSA63J-681X	MG RESISTOR	680Ω 1/16W J	
C667	NCB31CK-104X	C CAPACITOR	0.1uF 16V K		R666	NRSA63J-561X	MG RESISTOR	560Ω 1/16W J	
C669	NCB31HK-182X	C CAPACITOR	1800pF 50V K		R667	NRSA63J-681X	MG RESISTOR	680Ω 1/16W J	
C672	NCB31HK-182X	C CAPACITOR	1800pF 50V K		R668	NRSA63J-561X	MG RESISTOR	560Ω 1/16W J	
C673	QEKJ1CM-106Z	E CAPACITOR	10uF 16V M		R669	NRSA63J-102X	MG RESISTOR	1kΩ 1/16W J	
C674	NCB31CK-104X	C CAPACITOR	0.1uF 16V K		R671	NRSA63J-333X	MG RESISTOR	33kΩ 1/16W J	
C675	NDC31HJ-100X	C CAPACITOR	10pF 50V J		R672	NRSA63J-102X	MG RESISTOR	1kΩ 1/16W J	
C676	NDC31HJ-100X	C CAPACITOR	10pF 50V J		R673	NRSA63J-102X	MG RESISTOR	1kΩ 1/16W J	
C677	NCB31CK-104X	C CAPACITOR	0.1uF 16V K		R674	NRSA63J-102X	MG RESISTOR	1kΩ 1/16W J	
C678	QEKJ0JM-107Z	E CAPACITOR	100uF 6.3V M		R675	NRSA63J-102X	MG RESISTOR	1kΩ 1/16W J	
C681	NCB31EK-103X	C CAPACITOR	0.01uF 25V K		R676	NRSA63J-102X	MG RESISTOR	1kΩ 1/16W J	
C690	NCB31CK-104X	C CAPACITOR	0.1uF 16V K		R678	NRSA63J-0R0X	MG RESISTOR	0Ω 1/16W J	
C801	QERF1AM-227Z	E CAPACITOR	220uF 10V M		R679	NRSA63J-270X	MG RESISTOR	27Ω 1/16W J	
C802	NCB31CK-104X	C CAPACITOR	0.1uF 16V K		R681	NRSA63J-103X	MG RESISTOR	10kΩ 1/16W J	
C803	NCB31AK-474X	C CAPACITOR	0.47uF 10V K		R682	NRSA63J-391X	MG RESISTOR	390Ω 1/16W J	
C804	NCB31EK-103X	C CAPACITOR	0.01uF 25V K		R801	NRSA63J-472X	MG RESISTOR	4.7kΩ 1/16W J	
C805	NCB31HK-222X	C CAPACITOR	2200pF 50V K		R802	NRSA63J-222X	MG RESISTOR	2.2kΩ 1/16W J	
C806	NCB31HK-152X	C CAPACITOR	1500pF 50V K		R803	NRSA63J-562X	MG RESISTOR	5.6kΩ 1/16W J	
R231	NRSA63J-822X	MG RESISTOR	8.2kΩ 1/16W J		R805	NRSA63J-472X	MG RESISTOR	4.7kΩ 1/16W J	
R232	NRSA63J-822X	MG RESISTOR	8.2kΩ 1/16W J		R806	NRSA63J-332X	MG RESISTOR	3.3kΩ 1/16W J	
R233	NRSA63J-222X	MG RESISTOR	2.2kΩ 1/16W J		R807	NRSA63J-562X	MG RESISTOR	5.6kΩ 1/16W J	
R234	NRSA63J-222X	MG RESISTOR	2.2kΩ 1/16W J		R809	NRSA63J-223X	MG RESISTOR	22kΩ 1/16W J	
R236	NRSA63J-473X	MG RESISTOR	47kΩ 1/16W J		R811	NRSA63J-153X	MG RESISTOR	15kΩ 1/16W J	
R251	NRSA63J-473X	MG RESISTOR	47kΩ 1/16W J		R812	NRSA63J-102X	MG RESISTOR	1kΩ 1/16W J	
R253	NRSA63J-103X	MG RESISTOR	10kΩ 1/16W J		R814	NRSA63J-183X	MG RESISTOR	18kΩ 1/16W J	
R255	NRSA63J-102X	MG RESISTOR	1kΩ 1/16W J		R815	NRSA63J-153X	MG RESISTOR	15kΩ 1/16W J	
R256	NRSA63J-102X	MG RESISTOR	1kΩ 1/16W J		R816	NRSA63J-562X	MG RESISTOR	5.6kΩ 1/16W J	
R258	NRSA63J-102X	MG RESISTOR	1kΩ 1/16W J		R818	NRSA63J-223X	MG RESISTOR	22kΩ 1/16W J	
R259	NRSA63J-103X	MG RESISTOR	10kΩ 1/16W J		R830	NRSA63J-0R0X	MG RESISTOR	0Ω 1/16W J	
R260	NRSA63J-102X	MG RESISTOR	1kΩ 1/16W J		R831	NRSA63J-271X	MG RESISTOR	270Ω 1/16W J	
R261	NRSA63J-102X	MG RESISTOR	1kΩ 1/16W J		R832	NRSA63J-271X	MG RESISTOR	270Ω 1/16W J	
R262	NRSA63J-102X	MG RESISTOR	1kΩ 1/16W J		R833	NRSA63J-271X	MG RESISTOR	270Ω 1/16W J	
R263	NRSA63J-102X	MG RESISTOR	1kΩ 1/16W J		R834	NRSA63J-271X	MG RESISTOR	270Ω 1/16W J	
R264	NRSA63J-102X	MG RESISTOR	1kΩ 1/16W J		R835	NRSA63J-271X	MG RESISTOR	270Ω 1/16W J	
R265	NRSA63J-103X	MG RESISTOR	10kΩ 1/16W J		R836	NRSA63J-271X	MG RESISTOR	270Ω 1/16W J	
R266	NRSA63J-102X	MG RESISTOR	1kΩ 1/16W J		R837	NRSA63J-271X	MG RESISTOR	270Ω 1/16W J	
R267	NRSA63J-102X	MG RESISTOR	1kΩ 1/16W J		R838	NRSA63J-271X	MG RESISTOR	270Ω 1/16W J	
R268	NRSA63J-473X	MG RESISTOR	47kΩ 1/16W J		R839	NRSA63J-271X	MG RESISTOR	270Ω 1/16W J	
R271	NRSA63J-102X	MG RESISTOR	1kΩ 1/16W J		R840	NRSA63J-271X	MG RESISTOR	270Ω 1/16W J	
R274	NRSA63J-102X	MG RESISTOR	1kΩ 1/16W J		R841	NRSA63J-271X	MG RESISTOR	270Ω 1/16W J	
R278	NRSA63J-102X	MG RESISTOR	1kΩ 1/16W J		R842	NRSA63J-271X	MG RESISTOR	270Ω 1/16W J	
R289	NRSA63J-102X	MG RESISTOR	1kΩ 1/16W J		R843	NRSA63J-271X	MG RESISTOR	270Ω 1/16W J	
R293	NRSA63J-473X	MG RESISTOR	47kΩ 1/16W J		R844	NRSA63J-271X	MG RESISTOR	270Ω 1/16W J	
R294	NRSA63J-473X	MG RESISTOR	47kΩ 1/16W J		R845	NRSA63J-271X	MG RESISTOR	270Ω 1/16W J	
R295	NRSA63J-473X	MG RESISTOR	47kΩ 1/16W J		R846	NRSA63J-271X	MG RESISTOR	270Ω 1/16W J	
R296	NRSA63J-103X	MG RESISTOR	10kΩ 1/16W J		R847	NRSA63J-271X	MG RESISTOR	270Ω 1/16W J	
R297	NRSA63J-122X	MG RESISTOR	1.2kΩ 1/16W J		R848	NRSA63J-271X	MG RESISTOR	270Ω 1/16W J	
R298	NRSA63J-103X	MG RESISTOR	10kΩ 1/16W J		CN601	QGF1008F1-16	CONNECTOR	FFC/FPC (1-16)	
R601	NRSA63J-562X	MG RESISTOR	5.6kΩ 1/16W J		CN603	QGA2501F1-02	CONNECTOR	W-B (1-2)	
R602	NRSA63J-392X	MG RESISTOR	3.9kΩ 1/16W J		CN651	QGF1036F1-17	CONNECTOR	FFC/FPC (1-17)	
R603	NRSA63J-393X	MG RESISTOR	39kΩ 1/16W J		FW602	QJK004-060601-E	SIN CL C-B WIRE		
R604	NRSA63J-124X	MG RESISTOR	120kΩ 1/16W J		K251	NQR0007-002X	FERRITE BEADS		
R605	NRSA63J-0R0X	MG RESISTOR	0Ω 1/16W J		K252	NQR0007-002X	FERRITE BEADS		
R606	NRSA63J-0R0X	MG RESISTOR	0Ω 1/16W J		K254	NQR0007-002X	FERRITE BEADS		
R607	NRSA63J-223X	MG RESISTOR	22kΩ 1/16W J		K651	QQR0621-001Z	FERRITE BEADS		
R608	NRSA63J-223X	MG RESISTOR	22kΩ 1/16W J		K654	NQR0007-002X	FERRITE BEADS		
R611	NRSA63J-392X	MG RESISTOR	3.9kΩ 1/16W J		X251	QAX0684-001Z	C RESONATOR	8.38MHz	

Symbol No.	Part No.	Part Name	Description	Local
X651	NAX0476-001X	CRYSTAL	33.8688MHz	

Head amplifier board

Block No. [0][5]

Symbol No.	Part No.	Part Name	Description	Local
IC31	BA3126N	IC		
IC32	AN7317	IC		
IC33	BU4094BCF-X	IC		
Q101	DTC114TKA-X	TRANSISTOR		
Q102	DTC114TKA-X	TRANSISTOR		
Q201	DTC114TKA-X	TRANSISTOR		
Q202	DTC114TKA-X	TRANSISTOR		
Q301	DTA144EKA-X	DIGI TRANSISTOR		
Q302	2SC2001/K/-T	TRANSISTOR		
Q303	2SC2001/K/-T	TRANSISTOR		
Q304	2SC2001/LK/-T	TRANSISTOR		
Q305	2SC2001/LK/-T	TRANSISTOR		
Q306	2SC2412K/RS/-X	TRANSISTOR		
Q307	2SC2412K/RS/-X	TRANSISTOR		
Q308	2SC2412K/RS/-X	TRANSISTOR		
Q309	2SC2412K/RS/-X	TRANSISTOR		
Q321	DTC144EKA-X	DIGI TRANSISTOR		
Q323	2SC2412K/RS/-X	TRANSISTOR		
Q371	2SA952/LK/-T	TRANSISTOR		
Q372	DTC124EKA-X	DIGI TRANSISTOR		
Q375	2SB562/C/-T	TRANSISTOR		
Q376	2SC2412K/RS/-X	TRANSISTOR		
D301	MA152WA-X	DIODE		
D309	MA704A-X	S.K.DIODE		
D375	HZM5.1NB2-X	Z DIODE		
C101	NCS21HJ-821X	C CAPACITOR	820pF 50V J	
C102	NCS21HJ-221X	C CAPACITOR	220pF 50V J	
C103	QEKJ0JM-227Z	E CAPACITOR	220uF 6.3V M	
C104	NCB21HK-333X	C CAPACITOR	0.033uF 50V K	
C105	NCB21HK-222X	C CAPACITOR	2200pF 50V K	
C106	QEKJ1CM-106Z	E CAPACITOR	10uF 16V M	
C107	NCS21HJ-561X	C CAPACITOR	560pF 50V J	
C108	QEKJ1EM-475Z	E CAPACITOR	4.7uF 25V M	
C109	QEKJ1EM-475Z	E CAPACITOR	4.7uF 25V M	
C110	NCB21HK-682X	C CAPACITOR	6800pF 50V K	
C111	NCB21HK-122X	C CAPACITOR	1200pF 50V K	
C112	NCB21EK-683X	C CAPACITOR	0.068uF 25V K	
C113	NCB21HK-222X	C CAPACITOR	2200pF 50V K	
C121	NCS21HJ-331X	C CAPACITOR	330pF 50V J	
C201	NCS21HJ-821X	C CAPACITOR	820pF 50V J	
C202	NCS21HJ-221X	C CAPACITOR	220pF 50V J	
C203	QEKJ0JM-227Z	E CAPACITOR	220uF 6.3V M	
C204	NCB21HK-333X	C CAPACITOR	0.033uF 50V K	
C205	NCB21HK-222X	C CAPACITOR	2200pF 50V K	
C206	QEKJ1CM-106Z	E CAPACITOR	10uF 16V M	
C207	NCS21HJ-561X	C CAPACITOR	560pF 50V J	
C208	QEKJ1EM-475Z	E CAPACITOR	4.7uF 25V M	
C209	QEKJ1EM-475Z	E CAPACITOR	4.7uF 25V M	
C210	NCB21HK-682X	C CAPACITOR	6800pF 50V K	
C211	NCB21HK-122X	C CAPACITOR	1200pF 50V K	
C212	NCB21EK-683X	C CAPACITOR	0.068uF 25V K	
C213	NCB21HK-222X	C CAPACITOR	2200pF 50V K	
C221	NCS21HJ-331X	C CAPACITOR	330pF 50V J	
C301	QEKJ1AM-107Z	E CAPACITOR	100uF 10V M	
C302	NCB21HK-393X	C CAPACITOR	0.039uF 50V K	
C303	QEKJ0JM-227Z	E CAPACITOR	220uF 6.3V M	
C304	QEKJ1CM-226Z	E CAPACITOR	22uF 16V M	
C305	QEKJ1CM-226Z	E CAPACITOR	22uF 16V M	
C306	QEKJ1CM-476Z	E CAPACITOR	47uF 16V M	
C307	NCB21HK-103X	C CAPACITOR	0.01uF 50V K	
C308	NCB21HK-562X	C CAPACITOR	5600pF 50V K	
C309	NCB21HK-562X	C CAPACITOR	5600pF 50V K	

Symbol No.	Part No.	Part Name	Description	Local
C310	NCB21HK-223X	C CAPACITOR	0.022uF 50V K	
C311	NCB21HK-682X	C CAPACITOR	6800pF 50V K	
C313	QEKJ1AM-107Z	E CAPACITOR	100uF 10V M	
C314	QCZ0202-155Z	C CAPACITOR	1.5uF 25V Z	
C315	QCZ0202-155Z	C CAPACITOR	1.5uF 25V Z	
C316	QFG32AJ-103Z	PP CAPACITOR	0.01uF 100V J	
C318	NCB21HK-103X	C CAPACITOR	0.01uF 50V K	
C319	QFG32AJ-821Z	PP CAPACITOR	820pF 100V J	
C321	NCB21HK-103X	C CAPACITOR	0.01uF 50V K	
C322	QFG32AJ-152Z	PP CAPACITOR	1500pF 100V J	
C331	QEKJ1CM-476Z	E CAPACITOR	47uF 16V M	
C351	QEKJ1CM-106Z	E CAPACITOR	10uF 16V M	
C371	QEKJ1EM-475Z	E CAPACITOR	4.7uF 25V M	
C374	QEKJ1AM-107Z	E CAPACITOR	100uF 10V M	
C375	QEKJ1AM-107Z	E CAPACITOR	100uF 10V M	
C376	NCB21HK-103X	C CAPACITOR	0.01uF 50V K	
C391	NCB31HK-681X	C CAPACITOR	680pF 50V K	
R101	NRSA63J-220X	MG RESISTOR	22Ω 1/16W J	
R102	NRSA63J-182X	MG RESISTOR	1.8kΩ 1/16W J	
R103	NRSA63J-242X	MG RESISTOR	2.4kΩ 1/16W J	
R104	NRSA63J-122X	MG RESISTOR	1.2kΩ 1/16W J	
R105	NRSA63J-104X	MG RESISTOR	100kΩ 1/16W J	
R106	NRSA63J-332X	MG RESISTOR	3.3kΩ 1/16W J	
R107	NRSA63J-123X	MG RESISTOR	12kΩ 1/16W J	
R108	NRSA63J-562X	MG RESISTOR	5.6kΩ 1/16W J	
R109	NRSA63J-122X	MG RESISTOR	1.2kΩ 1/16W J	
R110	NRSA63J-472X	MG RESISTOR	4.7kΩ 1/16W J	
R111	NRSA63J-333X	MG RESISTOR	33kΩ 1/16W J	
R112	NRSA63J-222X	MG RESISTOR	2.2kΩ 1/16W J	
R113	NRSA63J-472X	MG RESISTOR	4.7kΩ 1/16W J	
R114	NRSA63J-272X	MG RESISTOR	2.7kΩ 1/16W J	
R116	NRSA63J-102X	MG RESISTOR	1kΩ 1/16W J	
R121	NRSA63J-102X	MG RESISTOR	1kΩ 1/16W J	
R201	NRSA63J-220X	MG RESISTOR	22Ω 1/16W J	
R202	NRSA63J-182X	MG RESISTOR	1.8kΩ 1/16W J	
R203	NRSA63J-242X	MG RESISTOR	2.4kΩ 1/16W J	
R204	NRSA63J-122X	MG RESISTOR	1.2kΩ 1/16W J	
R205	NRSA63J-104X	MG RESISTOR	100kΩ 1/16W J	
R206	NRSA63J-332X	MG RESISTOR	3.3kΩ 1/16W J	
R207	NRSA63J-123X	MG RESISTOR	12kΩ 1/16W J	
R208	NRSA63J-562X	MG RESISTOR	5.6kΩ 1/16W J	
R209	NRSA63J-122X	MG RESISTOR	1.2kΩ 1/16W J	
R210	NRSA63J-472X	MG RESISTOR	4.7kΩ 1/16W J	
R211	NRSA63J-333X	MG RESISTOR	33kΩ 1/16W J	
R212	NRSA63J-222X	MG RESISTOR	2.2kΩ 1/16W J	
R213	NRSA63J-472X	MG RESISTOR	4.7kΩ 1/16W J	
R214	NRSA63J-272X	MG RESISTOR	2.7kΩ 1/16W J	
R216	NRSA63J-102X	MG RESISTOR	1kΩ 1/16W J	
R221	NRSA63J-102X	MG RESISTOR	1kΩ 1/16W J	
R301	NRS181J-221X	MG RESISTOR	220Ω 1/8W J	
R303	NRSA63J-393X	MG RESISTOR	39kΩ 1/16W J	
R304	NRS181J-101X	MG RESISTOR	100Ω 1/8W J	
R305	NRSA63J-222X	MG RESISTOR	2.2kΩ 1/16W J	
R306	NRSA63J-222X	MG RESISTOR	2.2kΩ 1/16W J	
R310	NRS181J-560X	MG RESISTOR	56Ω 1/8W J	
R311	NRS181J-560X	MG RESISTOR	56Ω 1/8W J	
R313	NRSA63J-3R3X	MG RESISTOR	3.3Ω 1/16W J	
R314	NRSA63J-223X	MG RESISTOR	22kΩ 1/16W J	
R315	NRSA63J-100X	MG RESISTOR	10Ω 1/16W J	
R316	NRSA63J-223X	MG RESISTOR	22kΩ 1/16W J	
R317	NRSA63J-100X	MG RESISTOR	10Ω 1/16W J	
R319	NRSA63J-152X	MG RESISTOR	1.5kΩ 1/16W J	
R322	NRSA63J-152X	MG RESISTOR	1.5kΩ 1/16W J	
R327	NRSA63J-474X	MG RESISTOR	470kΩ 1/16W J	
R332	NRSA63J-123X	MG RESISTOR	12kΩ 1/16W J	
R333	NRSA63J-123X	MG RESISTOR	12kΩ 1/16W J	
R335	NRSA63J-152X	MG RESISTOR	1.5kΩ 1/16W J	
R336	NRSA63J-472X	MG RESISTOR	4.7kΩ 1/16W J	
R337	NRSA63J-332X	MG RESISTOR	3.3kΩ 1/16W J	
R338	NRSA63J-392X	MG RESISTOR	3.9kΩ 1/16W J	
R339	NRSA63J-222X	MG RESISTOR	2.2kΩ 1/16W J	
R340	NRS181J-391X	MG RESISTOR	390Ω 1/8W J	
R341	NRSA63J-123X	MG RESISTOR	12kΩ 1/16W J	
R342	NRSA63J-203X	MG RESISTOR	20kΩ 1/16W J	
R343	NRSA63J-183X	MG RESISTOR	18kΩ 1/16W J	
R351	NRSA63J-683X	MG RESISTOR	68kΩ 1/16W J	
R352	NRSA63J-912X	MG RESISTOR	9.1kΩ 1/16W J	

△ Symbol No.	Part No.	Part Name	Description	Local
R371	NRSA63J-123X	MG RESISTOR	12kΩ 1/16W J	
R372	NRSA63J-102X	MG RESISTOR	1kΩ 1/16W J	
R375	NRSA02J-151X	MG RESISTOR	150Ω 1/10W J	
R376	NRSA63J-472X	MG RESISTOR	4.7kΩ 1/16W J	
VR31	QVP0008-503Z	TRIM RESISTOR	50kΩ	
VR32	QVP0008-503Z	TRIM RESISTOR	50kΩ	
VR37	QVP0008-103Z	TRIM RESISTOR	10kΩ	
L301	QQR0620-001	OSC COIL(BIAS)		
L303	QQL01BK-100Z	COIL	10uH K	
CN31	QGF1201F3-06	CONNECTOR	FFC/FPC (1-6)	
CN32	QGB2011M1-10	CONNECTOR	B-B (1-10)	
CN33	QGF1205F1-09	CONNECTOR	FFC/FPC (1-9)	
CN34	QGF1201F3-10	CONNECTOR	FFC/FPC (1-10)	

Cassette switch board

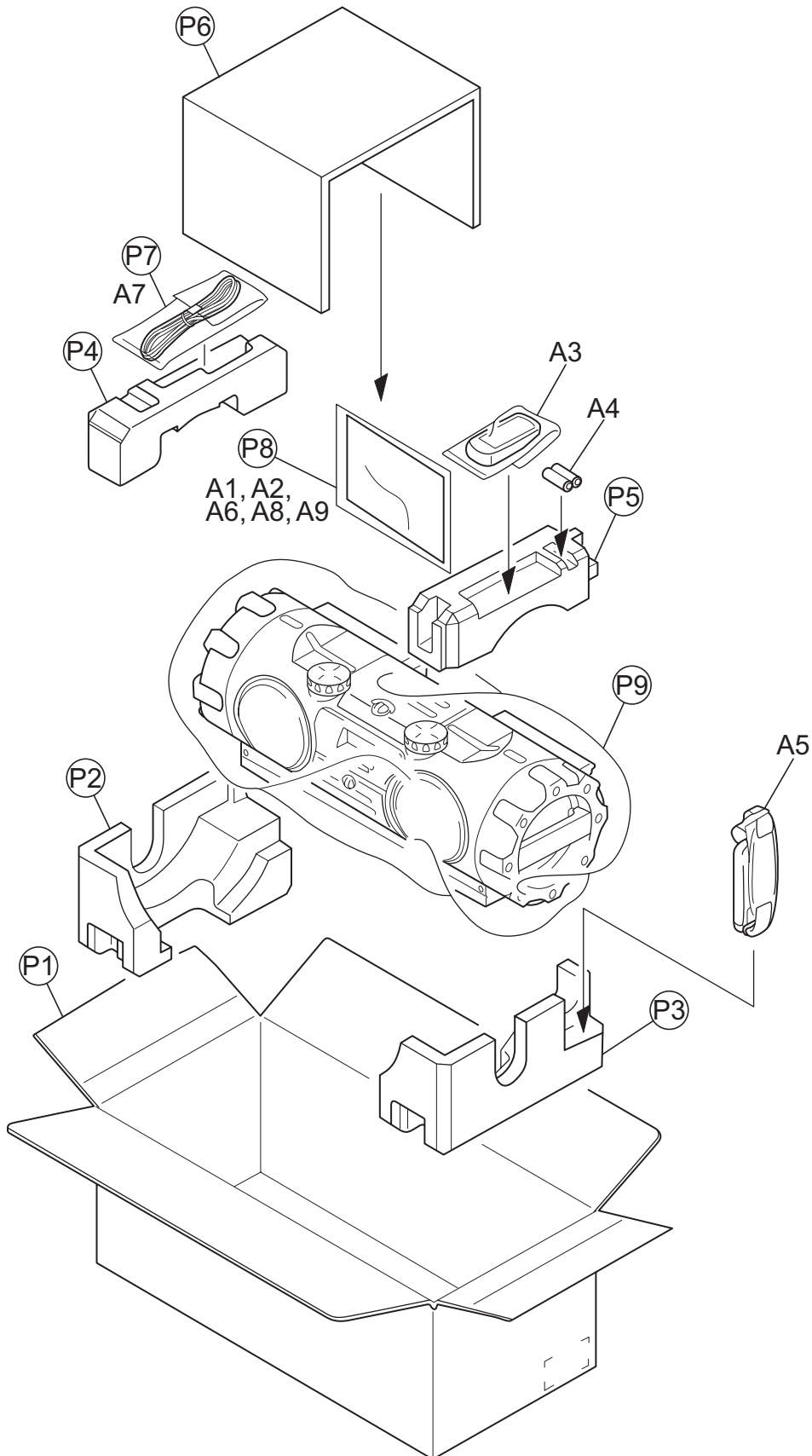
Block No. [0][6]

△ Symbol No.	Part No.	Part Name	Description	Local
IC1	SG-105F3/Z1/	PHOTO SENSER		
D1	1SR139-400-T2	SI DIODE		
CN1	QGB2011L1-10	CONNECTOR	B-B (1-10)	
P1	QNZ0104-001	POST PIN		
SW1	QSW0832-001	CASS.SWITCH		
SW2	QSW0832-001	CASS.SWITCH		
SW4	QSW0832-001	CASS.SWITCH		
SW5	QSW0832-001	CASS.SWITCH		
SW6	QSW0859-001	DETECT SWITCH		

Packing materials and accessories parts list

Block No. M 3 M M

No additional / supplemental order of WARRANTY CARDS are available



Packing and Accessories

Block No. [M][3][M][M]

△	Symbol No.	Part No.	Part Name	Description	Local
	A 1	LVT1265-003B	INST BOOK	ENG	B
	A 1	LVT1265-004B	INST BOOK	GER,FRE	E,EN
	A 2	LVT1265-005B	INST BOOK	DUT	E
	A 2	LVT1265-006B	INST BOOK	SWE,FIN,DAN	EN
	A 3	RM-SRVNB1A	REMO-CON UNIT		
	A 4	-----	BATTERY	(x2)	
	A 5	LV35227-001A	SHOULDER BELT		
	A 6	-----	WARRANTY CARD	BT-54026-1	
△	A 7	QMPP060-183-JD	POWER CORD(EU)	1.83m BLACK	B
△	A 7	QMPL060-183-JD	POWER CORD(EU)	1.83m BLACK	E,EN
	A 8	VNA3000-204	REGISTER CARD		B
	A 9	LVT1265-007B	INST BOOK	SPA,ITA	EN
	P 1	LV35228-001A	CARTON		
	P 2	VPH1721-001	BOTTOM(L)		
	P 3	VPH1721-002	BOTTOM(R)		
	P 4	VPH1721-007	UPPER (L)		
	P 5	VPH1721-006	UPPER (R)		
	P 6	VPK4343-001	CARTON SHEET		
	P 7	QPA01503503	POLY BAG	15cm x 35cm	B
	P 7	QPA01202505	POLY BAG	12cm x 25cm	E,EN
	P 8	QPA02503503P	POLY BAG	25cm x 35cm	
	P 9	QPF16016015	POLY SHEET	160cm x 160cm	